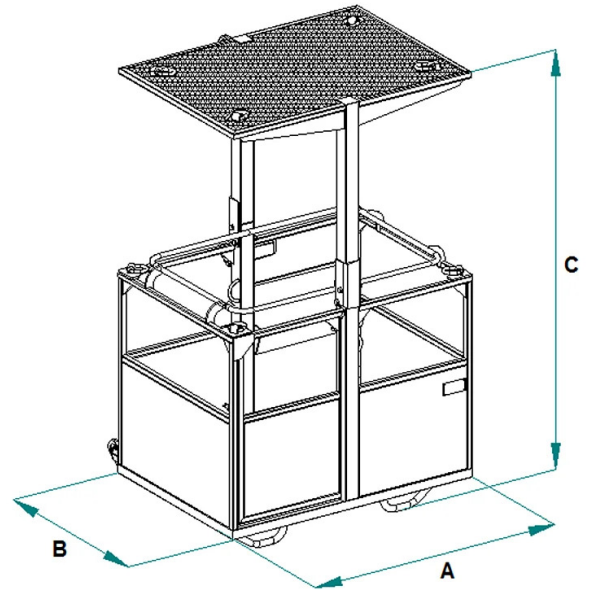


DATA SHEET - GALVANIZED CRANE MAN BASKET



Code	Capacity (kg)	Weight (kg)	Dimensions (mm)		
			A	B	C
CPP-R1CZN	200	190	1000	2323	
CPP-G1CZN	200	200	700	700	2323
CPP-G2CZN	300	300	1400	1000	2323
CPP-G3CZN	450	455	2000	1000	2323
CPP-G4CZN	600	550	2250	1205	2323

DATA SHEET - GALVANIZED CRANE MAN BASKET

Crane man baskets



Galvanized crane man basket

Man-lifting basket galvanized or in stainless steel with fixed and/or removable roof

This series of baskets retains the same construction features as the painted models, differing only in the finish. The choice between a galvanized basket and a stainless steel one depends on the specific application requirements and the environment in which it will be used. Here are some considerations that might influence the decision:

- Corrosion resistance:
 - Galvanized basket: The zinc coating offers good corrosion resistance in normal environments. However, it may not be the best choice in particularly aggressive environments or those exposed to corrosive chemicals.
 - Stainless steel basket: Stainless steel is known for its excellent corrosion resistance. It is the ideal choice for marine, industrial, or chemical environments where corrosion is a primary concern.
- Durability and strength:
 - Galvanized basket: While the zinc coating provides good protection, it may deteriorate over time, especially in case of abrasions or damage to the coating.
 - Stainless steel basket: Stainless steel is strong and maintains its structural integrity even in adverse conditions. It has a long lifespan and requires less maintenance compared to galvanized materials.
- Aesthetic appearance:
 - Galvanized basket: It may have a more matte and less shiny appearance compared to stainless steel.
 - Stainless steel basket: It has a modern, shiny appearance that is durable over time.
- Costs:
 - Galvanized basket: Generally, it is more economical compared to stainless steel.
 - Stainless steel basket: It has a higher initial cost but can offer better value for money in the long term due to its durability and corrosion resistance.

Application sectors

 Lifting