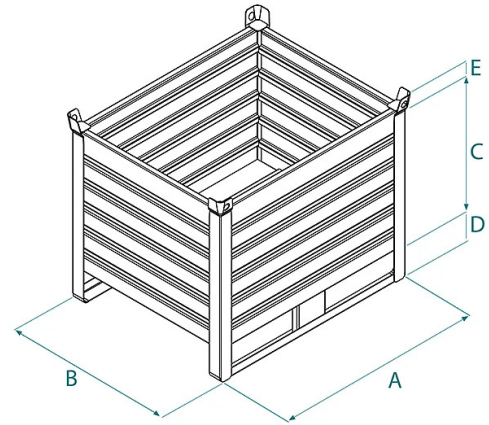


DATA SHEET - STACKING SHEET STEEL STILLAGE



Code	Capacity (kg)	Weight (kg)	Dimensions (mm)				
			A	B	C	D	E
CML-10	1000	60	1000	800	650	150	80
CML-12	1000	66	1200	800	650	150	80
CML-10SP	1000	61	1000	800	650	150	80
CML-12SP	1000	68	1200	800	650	150	80

DATA SHEET - STACKING SHEET STEEL STILLAGE

Crane accessories



Stacking sheet steel stillage

Stackable sheet metal containers of various sizes

The series of CML metal containers represents the ideal solution, with a load capacity of 1000 kg, for the storage and transportation of small-sized goods or waste. This series has been designed with an emphasis on safety and practicality, making it an essential item for companies and warehouses in the construction and industrial sectors. Their structure has been designed to allow lifting either by forklifts and pallet trucks, or by using a 4-arm chain. The presence of rails on the long side of the containers ensures stability during storage and handling operations, preventing unwanted shifts. These containers can be stacked on top of each other, optimizing the use of limited space in a warehouse. We offer a variety of models with different sizes to meet the specific needs of each situation. This product is built and tested according to the UNI EN ISO 12100, UNI EN 10027, and UNI EN 10204 standards and is issued with the appropriate metal label and certificate of conformity. All our products are covered by a one-year warranty (European Directive).

Application sectors

 Construction  Industry