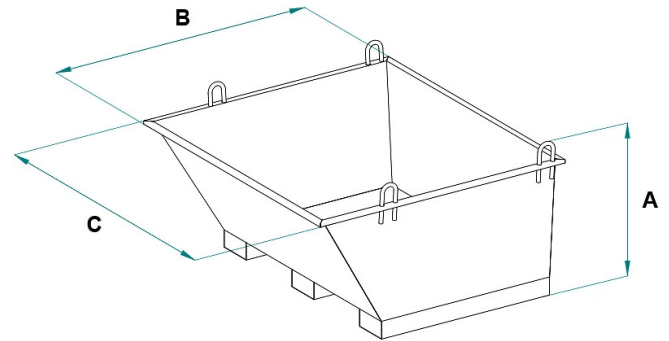


DATA SHEET - GALVANIZED MORTAR SKIP



Code	Capacity (kg)	Capacity (L)	Weight (kg)	Dimensions (mm)		
				A	B	C
M-35ZN	770	350	50	420	1260	1170
M-50ZN	1100	500	60	600	1260	1170

DATA SHEET - GALVANIZED MORTAR SKIP

Crane accessories




Galvanized mortar skip

Galvanized mortar skip with forklift pockets

The Model M mortar skip with forklift pockets is a versatile and reliable solution for transporting mortar or concrete in various worksite contexts. Made of high-quality galvanized steel, this container ensures greater corrosion resistance, making it ideal for environments subject to humidity or aggressive weather conditions. This model is designed to be forked at the base, while the presence of 4 rings on the sides allows for lifting by a crane using four-arm chains. Like the standard version, the galvanized mortar container complies with UNI EN 1355-2007, UNI EN 349, UNI ISO 8686, UNI EN 10204 standards and comes complete with a user and maintenance manual, Certificate of Conformity to the standards, and metal ID plate, ensuring maximum safety and quality. Additionally, all our products are covered by a one-year warranty, in accordance with the European Directive.

Application sectors

 Construction