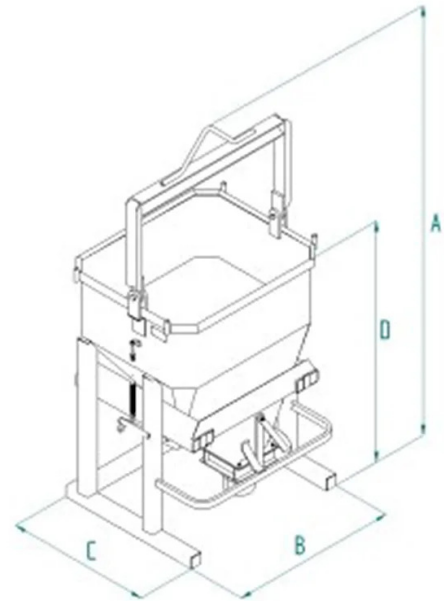



DATA SHEET - CONCRETE BUCKET WITH RUBBER HOSE AND OFF-CENTER DISCHARGE GATE



Code	Capacity (kg)	Capacity (L)	Weight (kg)	Dimensions (mm)			
				A	B	C	D
BCE-50L	1300	500	270	2330	1155	1006	1480
BCE-99L	2600	1000	390	2850	1300	1126	1780
BCE-150L	3900	1500	555	2950	1495	1503	1900
BCE-200L	5200	2000	585	3338	1495	1503	2022

DATA SHEET - CONCRETE BUCKET WITH RUBBER HOSE AND OFF-CENTER DISCHARGE GATE**Concrete buckets****Concrete bucket with rubber hose and off-center discharge gate****Octagonal concrete bucket with rubber hose and offset discharge**

We are proud to introduce the BCE-L model, a concrete bucket characterized by an off-center discharge with a rubber hose and lever opening. Designed to ensure excellent precision in concrete distribution, this bucket delivers superior performance in your pouring projects. The standard 2-meter rubber hose with a diameter of 200 mm ensures controlled flow of concrete. The lever opening allows easy control of dosage, while the rope provides the ability to manage and adjust the bucket valve's opening even at height. This bucket model can be lifted in two ways: using a crane with the bale arm, or it can be lifted with a telescopic handler or forklift, using the welded half-body forks of the bucket. The BCE-L model is available in various sizes and capacities, offering a wide range of options to suit the specific needs of your construction site. The specifications table provides details on available dimensions, and we are ready to consider custom modifications to best meet your specific requirements. All our buckets are built and tested according to rigorous quality and safety standards, ensuring compliance with UNI EN ISO 12100, UNI EN 349, UNI ISO 8686, UNI EN 10027, and UNI EN 10204 regulations. Each unit comes with a metal ID plate, conformity certificate, and user manual. All our products are covered by a one-year warranty in compliance with the European Directive.

Application sectors **Construction**