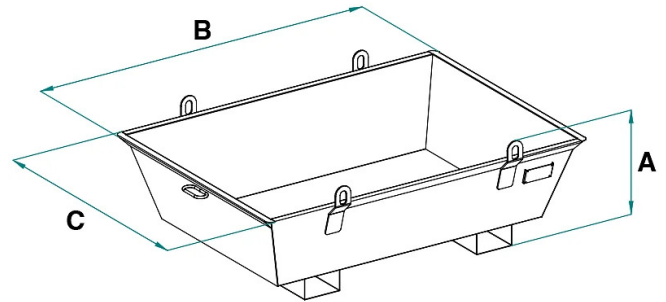


DATA SHEET - STACKABLE MORTAR SKIP



Code	Capacity (kg)	Capacity (L)	Weight (kg)	Dimensions (mm)		
				A	B	C
MS-30	660	300	55	433	1441	1029
MS-40	880	400	60	508	1486	1073
MS-50	1100	500	65	573	1524	1111

DATA SHEET - STACKABLE MORTAR SKIP

Crane accessories




Stackable mortar skip

Stackable mortar skip with forklift pockets

The Model M-S stackable mortar skip with forklift pockets is a versatile and reliable solution for transporting mortar or concrete in various worksite contexts. Made of high-quality material, it offers resistance and durability over time, ensuring safe transport in any situation. This model, in addition to being stackable to optimize space on the worksite, is designed to be forked at the base, while the presence of 4 rings on the sides allows for lifting by a crane using four-arm chains. The product is built and tested in compliance with strict UNI EN ISO 12100, UNI EN 349, UNI ISO 8686, UNI EN 10027, and UNI EN 10204 standards. Each product comes with a metal ID plate, certificate of conformity, and user and maintenance manual to ensure proper use over time. Additionally, all our products are covered by a one-year warranty, in accordance with the European Directive.

Application sectors

 Construction