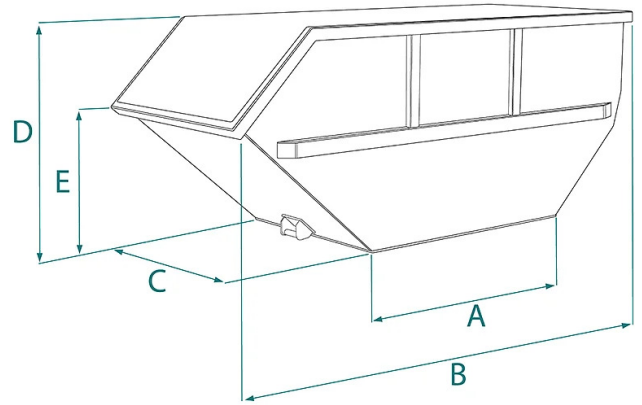


DATA SHEET - SKIP CONTAINER



Code	Capacity (L)	Weight (kg)	Dimensions (mm)				
			A	B	C	D	E
ASM-5	5000	600	2200	3120	1950	1250	900
ASM-7	7000	700	2200	3620	1950	1500	1000
ASM-10	10000	900	2200	3870	1950	1800	1250

DATA SHEET - SKIP CONTAINER

Boat skips



Skip container

Bucket for the collection of various types of waste and recycling services

The asymmetric bucket represents a versatile self-dumping container, completely sealed, and with an extremely robust structure. Its specific design makes it exceptionally suitable for the collection of demolition materials, chemical sludges, and organic waste. Thanks to its remarkable versatility, it is commonly known as the 'ecological shuttle.' The bucket is equipped with four lifting points to be moved and lifted with specialized multi-bucket vehicles. All buckets in this series are designed and built in accordance with rigorous quality standards, including UNI EN ISO 12100, UNI EN 13854, ISO 8686, UNI EN 10027, and UNI EN 10204. Each unit is also provided with a metal ID plate, conformity certificate, and comprehensive instruction manual for optimal use and maintenance.

Application sectors

 Construction