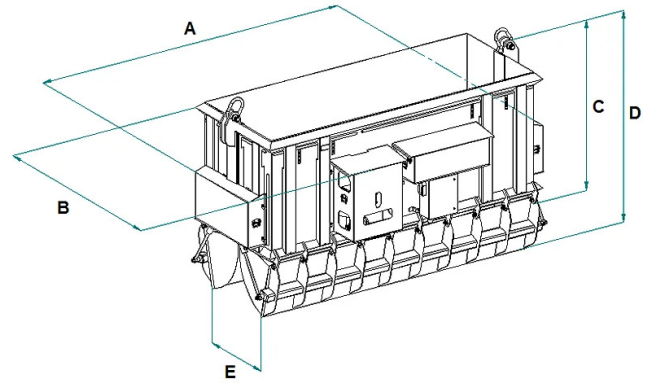


DATA SHEET - REMOTE-CONTROLLED EXCAVATION SKIP



| Code | Capacity (kg) | Capacity (L) | Weight (kg) | Power supply (V) | Dimensions (mm) | | | | |
|----------|---------------|--------------|-------------|------------------|-----------------|------|------|------|------|
| | | | | | A | B | C | D | E |
| A-400DBR | 8000 | 4000 | 2195 | Batterie | 2874 | 1935 | 1521 | 2077 | 991 |
| A-800DBR | 16000 | 8000 | 3450 | Batterie | 4176 | 1961 | 1914 | 2474 | 1024 |

DATA SHEET - REMOTE-CONTROLLED EXCAVATION SKIP

Boat skips




Remote-controlled excavation skip

Remote-controlled bucket with hydraulic opening

The radio-controlled bucket with hydraulic opening is an innovative accessory designed to simplify and speed up the lifting and handling operations of large quantities of waste material using a crane. This advanced device is equipped with a fully radio-controlled and operable double bottom opening system, allowing the operator to act at a safe distance, thus improving the efficiency and safety of operations. Thanks to its special opening, it is used to unload directly into truck containers for disposal, thus eliminating duplicate handling and reducing project excavation schedules. Alternatively, it offers the flexibility to unload waste in designated locations without the need to touch the ground to operate the opening mechanism, partially releasing the material. The integrated hydraulic system ensures reliable performance, ensuring smooth and precise opening and closing on every occasion. Its ergonomically advanced design and radio-controlled technology make it an ideal choice for optimizing waste handling activities in contexts where handling large volumes of waste material is required. All our buckets are built and tested according to UNI EN ISO 12100, UNI EN 13854, ISO 8686, UNI EN 10027, and UNI EN 10204 standards and come with the appropriate metal ID plate, conformity certificate, and user and maintenance manual. All our products are covered by a one-year warranty (European Directive). Last but not least, the product is patented!

Application sectors

 Construction