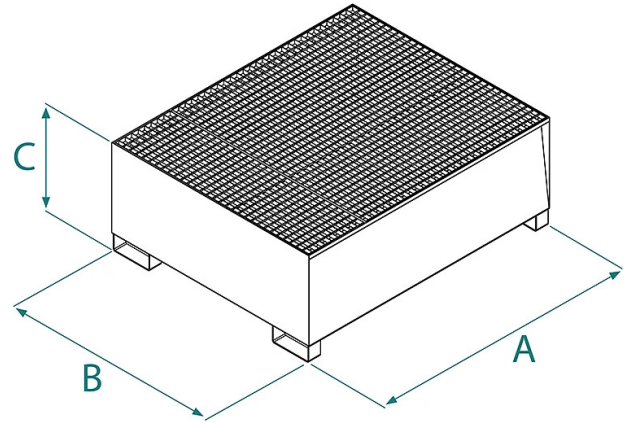


DATA SHEET - STEEL IBC SPILL CONTAINMENT PALLET



Code	Capacity (L)	Weight (kg)	Useful height (mm)	No. of 1000L tanks	Dimensions (mm)		
					A	B	C
VEC-1	1000	180	540	1	1650	1350	640
VEC-2	1000	275	250	2	2720	1650	350
VEC-3	1200	290	320	3	3350	1335	420

DATA SHEET - STEEL IBC SPILL CONTAINMENT PALLET

Crane accessories



Steel IBC spill containment pallet

Ecological collection tank for 1000 L tanks

The VEC model is a platform for the storage of hazardous substances with a sealed collection tank. All collection tanks are made of carbon steel with a thickness of 30/10. Welds are electronically checked to ensure perfect sealing. Dimensions and relative dimensions are all made according to UNI parameters. For the creation of your tanks, we use a high-flow pressed technical grating, hot-dip galvanized. Platforms are also available in galvanized form. Our collection tanks comply with current regulations; they require that they must contain at least the greater of the volume of the largest container to be stored and 33% of the total stored liquid. In the case of storing used oil, the tank must have a volume equal to 100% of the stored oil. The storage and transfer of substances must strictly adhere to the instructions contained in the safety data sheets of the individual substances. This product is constructed and tested according to UNI EN ISO 12100, UNI EN 10027-1, and UNI EN 10204 standards and is issued with the appropriate metal ID plate and certificate of conformity. All our products are covered by a one-year warranty (European Directive).

Application sectors

 Ecology