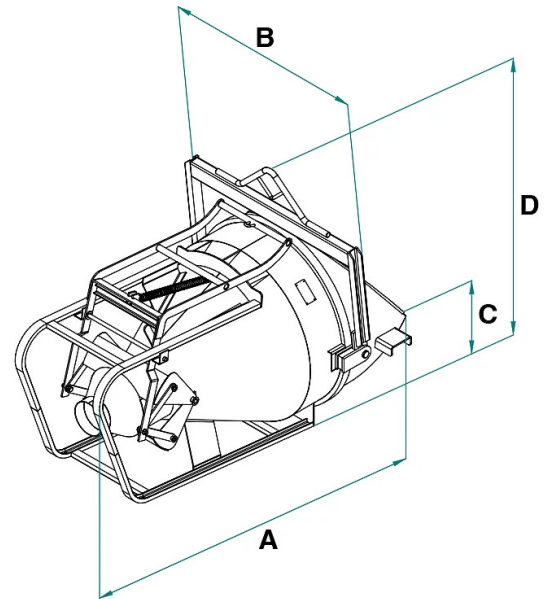


## DATA SHEET - LAYDOWN CONICAL CONCRETE KIBBLE WITH LEVERED OPENING AND RUBBER HOSE



| Code      | Capacity (kg) | Capacity (L) | Weight (kg) | Dimensions (mm) |      |     |      |
|-----------|---------------|--------------|-------------|-----------------|------|-----|------|
|           |               |              |             | A               | B    | C   | D    |
| BCF-30LT  | 780           | 300          | 270         | 1965            | 1270 | 627 | 1495 |
| BCF-50LT  | 1300          | 500          | 280         | 2098            | 1270 | 643 | 1512 |
| BCF-75LT  | 1950          | 750          | 325         | 2386            | 1530 | 763 | 1780 |
| BCF-99LT  | 2600          | 1000         | 355         | 2570            | 1530 | 786 | 1806 |
| BCF-150LT | 3900          | 1500         | 695         | 2781            | 1885 | 975 | 2033 |
| BCF-200LT | 5200          | 2000         | 750         | 3031            | 1885 | 975 | 2033 |

## DATA SHEET - LAYDOWN CONICAL CONCRETE KIBBLE WITH LEVERED OPENING AND RUBBER HOSE

Concrete buckets



### Laydown conical concrete kibble with levered opening and rubber hose

#### Laydown conical concrete bucket with central discharge, rubber hose and lever opening

We are here to present the BCF-LT model, a laydown conical bucket designed to offer reliable and versatile performance on your construction site. Equipped with a bivalve opening operated by a lever and a central discharge with a rubber hose, this bucket boasts a robust and durable design. The presence of a spring allows for automatic closure of the discharge, while a rope enables the bucket to be opened even at height. The two-meter-long rubber hose, with a diameter of 200 mm, ensures a controlled and precise flow of concrete during pouring. This distinctive feature of the BCF-LT bucket model, with its horizontal ground loading method, ensures that the bucket remains very low at the edge. This facilitates filling with the concrete mixer without any impediment, making the process smoother and more efficient in your construction work. Available in a variety of sizes and capacities, the BCF-LT model can be customized with a handwheel opening. All our buckets are built and tested in accordance with the strict standards UNI EN ISO 12100, UNI EN 13854, ISO 8686, UNI EN 10027, and UNI EN 10204. Each product comes with a metal ID plate, a certificate of conformity, and a user and maintenance manual to ensure proper use over time. Additionally, all our products are covered by a one-year warranty, in compliance with the European Directive.

#### Application sectors

 Construction