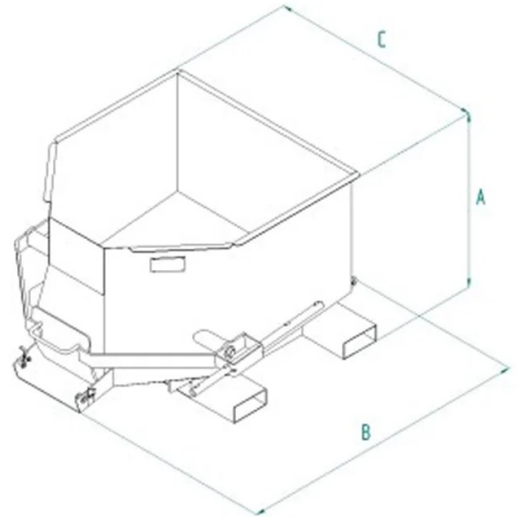


DATA SHEET - TELEHANDLER CONCRETE SKIP WITH RUBBER HOSE



Code	Capacity (kg)	Capacity (L)	Weight (kg)	Dimensions (mm)		
				A	B	C
MCE-50T	1300	500	170	845	1702	1195
MCE-99T	2600	1000	320	900	1702	1225
MCE-150T	3900	1500	415	890	1750	1626

DATA SHEET - TELEHANDLER CONCRETE SKIP WITH RUBBER HOSE

Concrete buckets



Telehandler concrete skip with rubber hose

Concrete bucket with base and rubber hose for forklift or telehandler

We are excited to present the MCE-T model, a versatile and reliable solution for lifting and transporting concrete. With a three-sided forkable base, the MCE-T model allows safe and stable lifting using a forklift or telescopic handler. The bucket features a complete rubber hose conveyor with a 200 mm diameter, ensuring a more controlled and secure flow. The MCE-T model is designed to meet your specific on-site needs, offering versatility and reliability. Its robust structure and careful design make it an ideal ally for optimizing your construction operations. Available in a wide range of sizes and capacities, the MCE-T model can be customized to best meet your specific requirements. All our buckets are built and tested according to strict quality and safety standards, ensuring compliance with UNI EN ISO 12100, UNI EN 13854, ISO 8686, UNI EN 10027, and UNI EN 10204 regulations. Each unit is accompanied by a metal ID plate, a certificate of conformity, and an operation and maintenance manual. All our products are covered by a one-year warranty in compliance with the European Directive.

Application sectors

 Construction