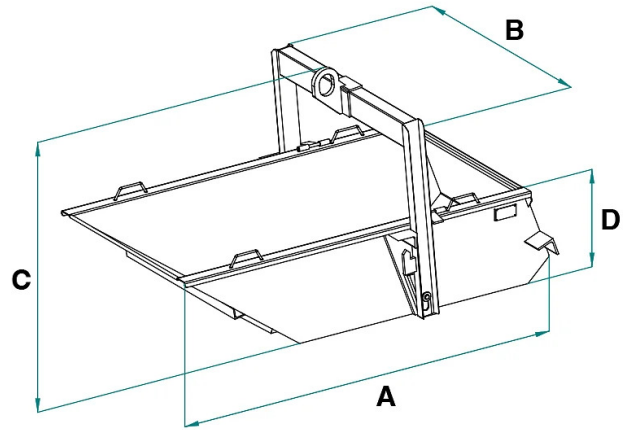


DATA SHEET - SELF DISCHARGING BOAT SKIP



Code	Capacity (kg)	Capacity (L)	Weight (kg)	Dimensions (mm)			
				A	B	C	D
A-50DL	1000	500	130	1771	1076	935	425
A-75DL	1500	750	250	2000	1266	1209	487
A-99DL	2000	1000	305	2283	1266	1251	570
A-150DL	3000	1500	390	2275	1508	1305	697
A-200DL	4000	2000	825	2913	1600	1523	719

DATA SHEET - SELF DISCHARGING BOAT SKIP


Boat skips

Self discharging boat skip

Self discharging bucket for aggregates and debris for crane

This model of automatic discharge bucket is very simple and safe to use. You just need to rotate the lifting arm backwards and then pull it upwards. This allows you to easily tilt the bucket for material discharge. In the case of this automatic discharge bucket, the entire discharge process takes place without requiring any manual intervention from an operator. Another distinctive aspect of this bucket is that all the sides are lowered and at the same height. This uniformity in the arrangement of the walls greatly facilitates the loading and unloading of materials of different sizes and also helps ensure safe and stable lifting. All our buckets are built and tested according to the standards UNI EN ISO 12100, UNI EN 13854, ISO 8686, UNI EN 10027, and UNI EN 10204 and come with the appropriate metal ID plate, certificate of conformity, and user and maintenance manual. All our products are covered by a one-year warranty (European Directive).

Application sectors

 Construction