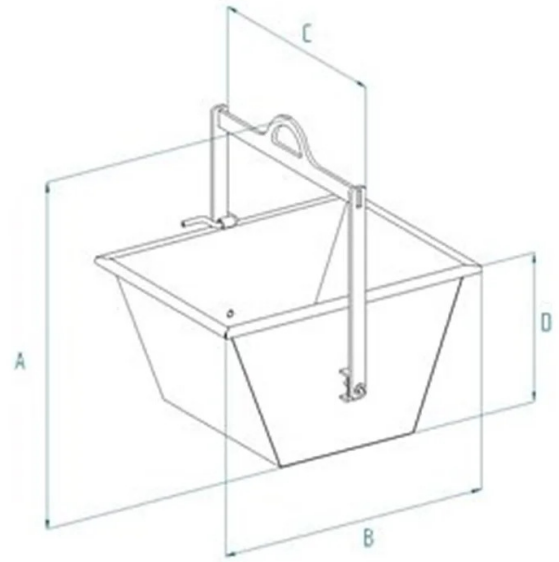


## DATA SHEET - HOIST TILTING BUCKET



Code	Capacity (kg)	Capacity (L)	Weight (kg)	Dimensions (mm)			
				A	B	C	D
T-06	120	60	18	664	599	544	345
T-08	160	80	21	714	649	584	365
T-10	200	100	23	744	709	614	385
T-15	300	150	31	861	804	634	495

## DATA SHEET - HOIST TILTING BUCKET

---

Boat skips




## Hoist tilting bucket

### Trapezoidal bucket with tilting on both sides

The tilting trapezoidal bucket is a robust and versatile product designed to facilitate the lifting and transport of materials on construction sites. This device is ideal for use with jib cranes or cranes with limited lifting capacity. Key features of this bucket include: **Robustness and Reliability:** The solid steel construction ensures durability and resistance to stress in demanding work environments. **Dimensions:** The compact size of the trapezoidal bucket makes it easy to handle loads with small capacities. All our buckets are built and tested according to UNI EN ISO 12100, UNI EN 13854, ISO 8686, UNI EN 10027, and UNI EN 10204 standards and come with a metal ID plate, a certificate of conformity, and a user and maintenance manual. All our products are covered by a one-year warranty (European Directive).

### Application sectors

 Construction