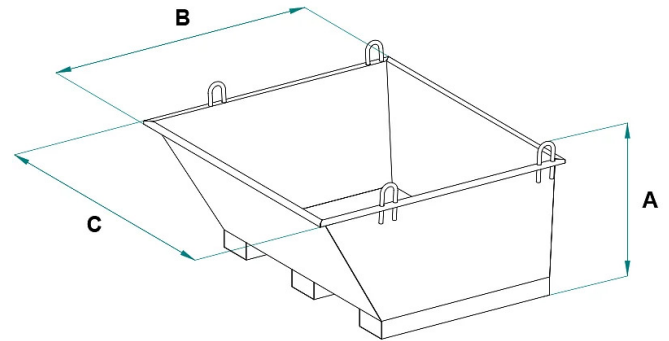


## DATA SHEET - MORTAR SKIP



Code	Capacity (kg)	Capacity (L)	Weight (kg)	Dimensions (mm)		
				A	B	C
M-35	770	350	43	420	1260	1170
M-50	1100	500	51	600	1260	1170

## DATA SHEET - MORTAR SKIP

---

Crane accessories




## Mortar skip

### Mortar skip with forklift pockets

The Model M mortar skip with forklift pockets is a versatile and reliable solution for transporting mortar or concrete in various worksite contexts. With a capacity of 770 or 1100 kg, this container is designed to meet diverse needs. Made of high-quality material, it offers resistance and durability over time, ensuring safe transport in any situation. This model is designed to be forked at the base, while the presence of 4 rings on the sides allows for lifting by a crane using a four-arm chain. The mortar container is manufactured in compliance with UNI EN 1355-2007, UNI EN 349, UNI ISO 8686, UNI EN 10204 standards and comes complete with a user and maintenance manual, Certificate of Conformity to the standards, and metal ID plate, ensuring compliance with the highest safety and quality standards. Additionally, all our products are covered by a one-year warranty, in accordance with the European Directive.

### Application sectors

 Construction