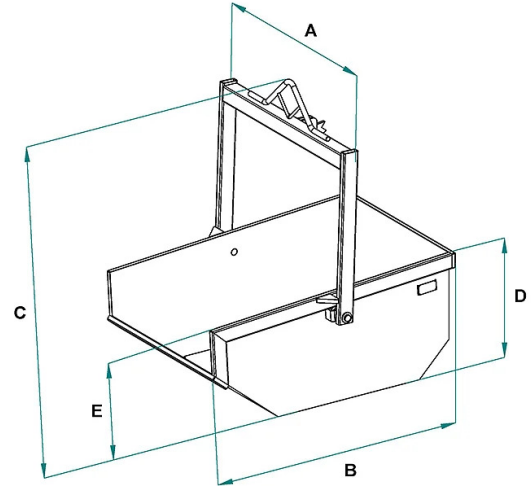


DATA SHEET - CRANE TIPPING SKIP



Code	Capacity (kg)	Capacity (L)	Weight (kg)	Dimensions (mm)				
				A	B	C	D	E
A-35M	700	350	90	1377	1366	1070	540	450
A-50M	1000	500	115	1473	1469	1165	590	490
A-80M	1600	800	180	1752	1683	1279	735	605
A-99M	2000	1000	255	1863	1847	1350	765	665
A-150M	3000	1500	320	1978	1941	1343	900	805
A-200M	4000	2000	515	2066	2123	1642	940	840

DATA SHEET - CRANE TIPPING SKIP

Boat skips




Crane tipping skip

Self dumping boat skip for aggregates and debris for crane

The A-M Model: An Excellent Solution for Handling Debris and Aggregates on Construction Sites This high-quality crane-tipping skip is designed to simplify the loading and unloading of heavy and bulk materials, making work more efficient and safe. Key Features: Automatic Dumping: One of the distinctive features of this bucket is its automatic dumping system. By rotating the lifting arm backward, it locks securely at the back of the bucket. Then, by pulling up, the tipping process is initiated. Once the bucket is emptied and returned to its starting horizontal position, the arm will automatically unlock, allowing loading operations to resume. This eliminates the need for manual intervention for dumping, saving time and effort; High-Quality Construction: The A-M bucket is built to very strict international quality standards. It is designed to withstand wear and continuous stress on the construction site, ensuring long-term durability; Safety: Safety is paramount on construction sites, and this bucket is designed with this principle in mind. The tipping system ensures that the load is dumped in a controlled and safe manner, minimizing the risk of accidents; Certifications and Warranty: Each A-M bucket comes with a certificate of conformity, which certifies that the equipment meets the required safety and quality standards. Additionally, we offer a one-year warranty on our products, in compliance with the European Directive; Wide Range of Use: This bucket is suitable for a wide range of materials, including debris, aggregates, gravel, and more. Its versatility makes it an ideal choice for various types of construction site work. By choosing the A-M model, you are investing in robust, safe, and efficient equipment that will significantly improve operations on your construction site. Its automatic dumping capability and high-quality construction make it a smart choice for your material handling needs. All our buckets are built and tested according to UNI EN ISO 12100, UNI EN 13854, ISO 8686, UNI EN 10027, and UNI EN 10204 standards, and come with a dedicated metal ID plate, certificate of conformity, and user and maintenance manual. All our products are covered by a one-year warranty (European Directive).

Application sectors

 Construction