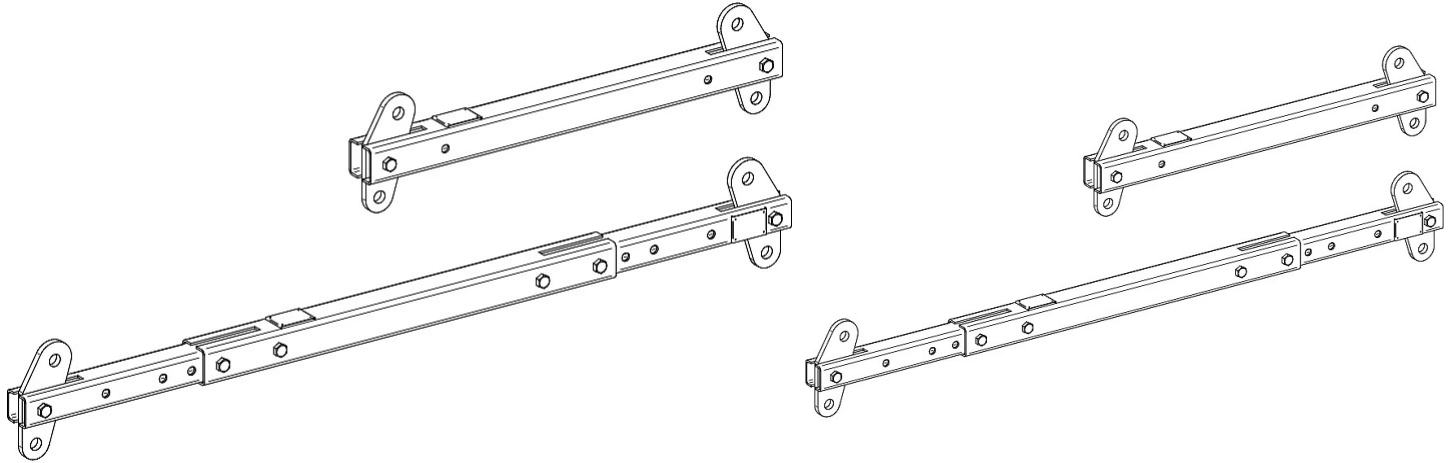


## DATA SHEET - TELESCOPIC SPREADER BAR



Code

EZBAR

## DATA SHEET - TELESCOPIC SPREADER BAR

---

Lifting beams



## Telescopic spreader bar

### Telescopic spreader bar with holes

Discover the versatility of our telescopic spreader bars: they adapt to all the sizes and capacities needed on the construction site! Thanks to the male-female closure system, it is possible to configure the spreader bars in multiple ways, ensuring flexibility and adaptability to the specific needs of your business. Whether you decide to use the spreader bar individually or in combination with other components, you will have a reliable ally to manage lifting operations on the construction site. Its ease of transport will allow you to move it easily from one point to another, ensuring efficiency and practicality in your daily activities. Choose the ideal solution for your lifting needs with our telescopic spreader bars, and transform your construction site into an efficient and safe workplace. All equipment is CE certified and supplied complete with an instruction and maintenance manual. Upon request, we can provide a calculation report signed by a qualified technician.

### Application sectors

 Lifting