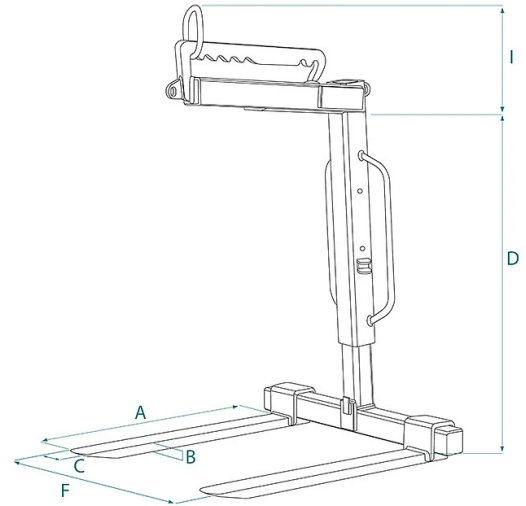


## DATA SHEET - MANUAL BALANCING CRANE FORK TELESCOPIC IN HEIGHT



Code	Capacity (kg)	Weight (kg)	Dimensions (mm)					
			A	B	C	D	F	I
MBR-10	1000	110	1000	25	90	1000-1450	350-1000	350
MBR-15	1500	145	1000	30	90	1000-1600	350-1000	350
MBR-20	2000	160	1000	35	100	1200-1800	350-1000	350
MBR-25	2500	215	1000	40	90	1200-1800	350-1000	350
MBR-30	3000	225	1000	35	120	1200-1800	350-1000	350

## DATA SHEET - MANUAL BALANCING CRANE FORK TELESCOPIC IN HEIGHT

### Crane forks



## Manual balancing crane fork telescopic in height

### Adjustable height crane fork with manual balancing

The MBR telescopic crane fork represents a versatile solution for the efficient lifting and handling of pallets of various sizes. Its main features include an adjustable telescopic height system, manual balancing with a sliding ring, and adjustable tines for greater adaptability. Key Features: 1. Telescopic Height System: The crane fork is equipped with an adjustable telescopic height system that allows for lifting pallets of various sizes. This feature adds versatility and flexibility during daily lifting operations, especially with hydraulic truck cranes. 2. Manual Balancing with Sliding Ring: Manual balancing with a sliding ring allows the operator to adjust the crane fork's balance according to the load lifted. The sliding ring offers direct and easy control during lifting operations. 3. Adjustable Tines: The crane fork is equipped with adjustable tines that allow the width of the crane fork to be adapted to the size of the load. This feature makes the crane fork ideal for lifting loads of various sizes and shapes. 4. Robust Construction: Made from high-quality materials, the crane fork is designed to ensure strength and durability over time. The robust structure is capable of withstanding heavy loads while maintaining reliable performance. 5. Ease of Use: The crane fork is designed to be easily maneuverable, with a sliding ring that simplifies manual balancing. Well-positioned handles facilitate the insertion and removal of the crane fork from pallets. This model is suitable for use on truck cranes. All crane forks comply with EN13155 standards and come with a strap and ratchet, ensuring safety and compliance with European lifting standards. Additionally, they are equipped with 2 welded perforated plates for the installation of a safety net. Note: It is important to follow the instructions provided in the user and maintenance manual to ensure safe and efficient use of the crane fork.

### Application sectors

 Construction  Lifting