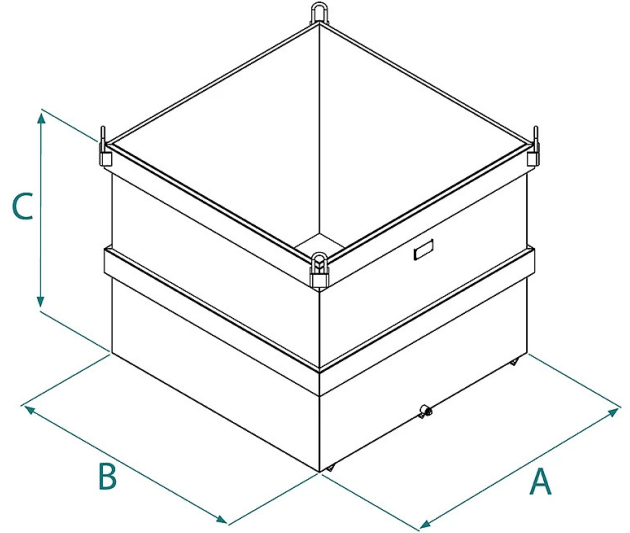


DATA SHEET - GALVANIZED DIPPING TANK



Code	Capacity (kg)	Capacity (L)	Weight (kg)	Dimensions (mm)		
				A	B	C
CM-10ZN	1960	1960	330	1500	1500	1300

DATA SHEET - GALVANIZED DIPPING TANK

Crane accessories



Galvanized dipping tank

Galvanized container for pallet immersion with crane fork

We introduce our sheet metal container dedicated to the immersion of brick pallets directly with the crane fork before laying. This sturdy container is designed to facilitate the processing process, ensuring effective preparation of bricks before laying.

Key Features:

1. Robust Sheet Metal Structure: High-quality sheet metal provides the container with strength and durability, ensuring a long lifespan even under intensive use conditions.
2. Fork Immersion Design: The shape and size of the container are optimized to allow for efficient immersion of brick pallets with the fork, simplifying the preparation process before laying.
3. Safe Use with Water: Specifically designed to contain water, our sheet metal container is safe and reliable for immersing bricks and is equipped with a drain plug at the base to facilitate drainage when necessary.

This product is built and tested according to UNI EN ISO 12100, UNI EN 10027, and UNI EN 10204 standards and is issued with the appropriate metal ID plate and certificate of conformity.

All our products are covered by a one-year warranty (European Directive).

Application sectors

 Construction