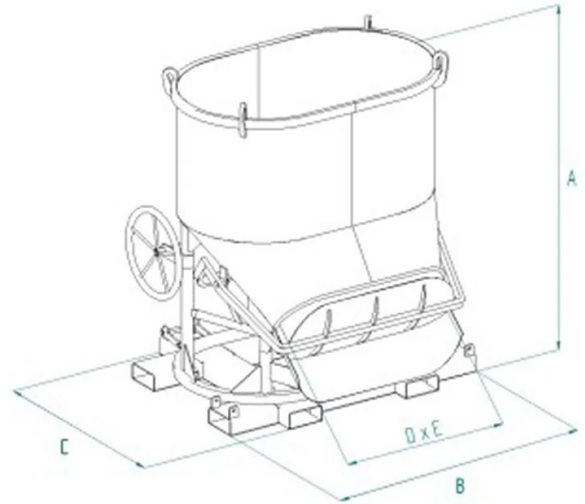


## DATA SHEET - CONCRETE FORKLIFT SKIP WITH LEVERED OPENING



Code	Capacity (kg)	Capacity (L)	Weight (kg)	Dimensions (mm)			
				A	B	C	D
BOT-50GAV	1300	500	245	1285	1421	1150	753×373
BOT-75GAV	1950	750	335	1450	1519	1200	988×388
BOT-99GAV	2600	1000	360	1685	1519	1200	988×399
BOT-150GAV	3900	1500	480	1770	1479	1330	920×420
BOT-200GAV	5200	2000	545	2050	1739	1453	920×420

## DATA SHEET - CONCRETE FORKLIFT SKIP WITH LEVERED OPENING

---

Concrete buckets



### Concrete forklift skip with levered opening

#### Oval concrete bucket with side discharge and large wheel opening

The BOT-GAV model is an oval-shaped concrete bucket specifically designed to excel in concrete pouring operations, especially in the prefabrication sector. It features a side discharge with a guillotine closure and a wide opening controlled by two lateral levers, ensuring optimal control of concrete during the discharge process for efficient and safe flow. The forkable base allows quick and safe lifting via forklift or telehandler, enhancing productivity and reducing downtime. Crane lifting is facilitated through four lifting points to ensure stability. The finish is powder-coated in RAL 1003 color. Available in various sizes and capacities, as specified in the table below, the BOT-GAV model can be customized to meet the specific requirements of your project. All our buckets are built and tested according to the stringent standards of UNI EN ISO 12100, UNI EN 13854, ISO 8686, UNI EN 10027, and UNI EN 10204, ensuring the highest quality and safety on-site. Each product is accompanied by a metal ID plate, certificate of conformity, and user and maintenance manual. Our commitment to quality is also reflected in the one-year warranty coverage, in compliance with the European Directive.

#### Application sectors

 Construction