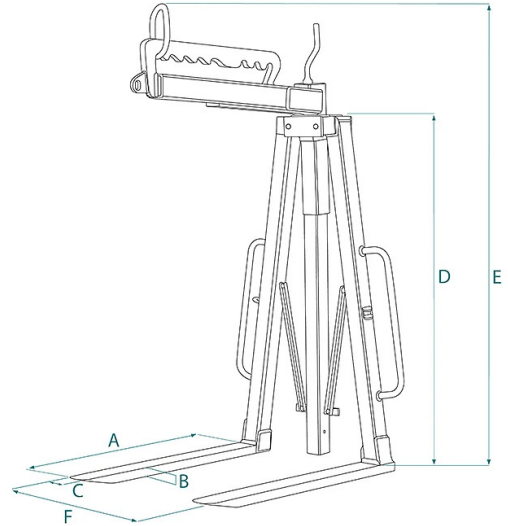


## DATA SHEET - MANUAL BALANCING PALLET FORK WITH ADJUSTABLE PINS



Code	Capacity (kg)	Weight (kg)	Dimensions (mm)					
			A	B	C	D	E	F
MBACR-10	1000	120	1000	25	90	1300	1800	400-1600
MBACR-15	1500	125	1000	30	90	1300	1800	400-1600
MBACR-20	2000	140	1000	35	100	1300	1800	400-1600

## DATA SHEET - MANUAL BALANCING PALLET FORK WITH ADJUSTABLE PINS

Crane forks




### Manual balancing pallet fork with adjustable pins

#### Crane fork with manual balancing

Our MBACR model is a crane fork designed for easy use with truck cranes, characterized by a reduced height clearance thanks to manual balancing with a sliding ring. The crane fork features practical adjustment up to the desired opening and a functional and manageable closure via a specific handwheel. The MBACR model has a useful load height of 1300 mm, large handles to facilitate fork orientation during pallet insertion and removal, and thin pins for greater maneuverability. All our crane forks are equipped with a strap and ratchet in compliance with EN13155 regulations, ensuring safety and compliance with European lifting standards. Additionally, they are equipped with 2 welded perforated plates, which serve as a provision for the installation of the safety net. The forks are built and tested according to UNI EN ISO 12100, UNI EN 13854, ISO 8686, and UNI EN 10204 standards. They are supplied with a specific metal ID plate, certificate of conformity, and user and maintenance manual. All our products are also covered by a one-year warranty in compliance with the European Directive.

#### Application sectors

 Construction  Lifting