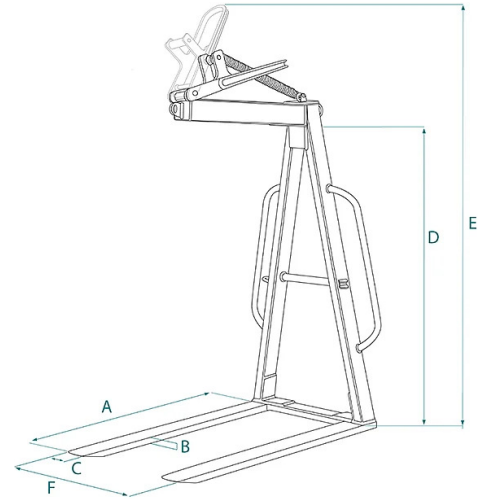


DATA SHEET - LOWERED NOT ADJUSTABLE SELF BALANCING CRANE FORK



Code	Capacity (kg)	Weight (kg)	Dimensions (mm)					
			A	B	C	D	E	F
MBL-A06	600	75	1000	25	80	1100	1500	580
MBL-A10	1000	80	1000	25	90	1100	1500	580
MBL-A15	1500	105	1000	30	90	1400	1800	700
MBL-A20	2000	130	1000	35	100	1400	1800	700
MBL-A25	2500	155	1000	40	90	1400	1800	700
MBL-A30	3000	190	1000	35	120	1400	1800	700

DATA SHEET - LOWERED NOT ADJUSTABLE SELF BALANCING CRANE FORK

Crane forks



Lowered not adjustable self balancing crane fork

Fixed crane fork with spring balancing

The non-adjustable crane fork with spring balancing is designed to offer an efficient lifting solution without the need for width or height adjustments. The automatic spring balancing allows for an even weight distribution during lifting operations. This crane fork is ideal for situations where a fixed and stable configuration is required, without the need to adapt to loads of varying sizes. All our crane forks are built and tested according to UNI EN 13155, UNI EN ISO 12100, UNI EN 13854, ISO 8686, and UNI EN 10204 standards and are issued with the appropriate metal ID plate, certificate of conformity, and user and maintenance manual. All our products are covered by a one-year warranty (European Directive).

Application sectors

 Construction  Lifting