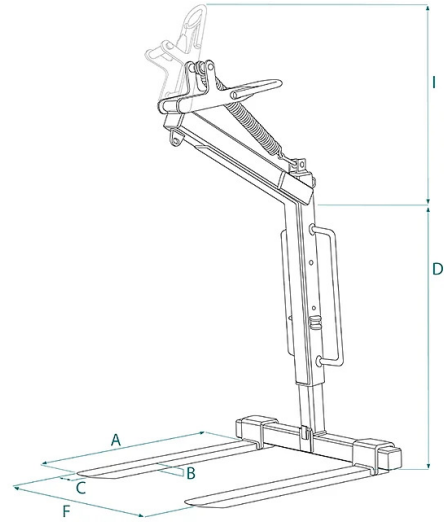


DATA SHEET - TELESCOPIC SELF LEVELLING CRANE FORK WITH CHAIN SAFETY CAGE



Code	Capacity (kg)	Weight (kg)	Dimensions (mm)					
			A	B	C	D	F	I
MBRA-15CP	1500	190	1000	30	90	1000-1450	350-1000	600
MBRA-20CP	2000	210	1000	35	100	1200-1800	350-1000	600
MBRA-30CP	3000	300	1000	35	120	1200-1800	350-1000	600

DATA SHEET - TELESCOPIC SELF LEVELLING CRANE FORK WITH CHAIN SAFETY CAGE

Crane forks



Telescopic self levelling crane fork with chain safety cage

Crane fork with adjustable height automatic balancing complete with protective cage

The MBRA-CP model is a height-adjustable automatic balancing crane fork with adjustable tines. The spring balance ensures automatic load balancing and optimal stability during lifting operations. This fork also features a mesh structure that surrounds the pallet during lifting operations, preventing lateral falls in case of accidental crane maneuvers. All our crane forks are constructed and tested according to UNI EN 13155, UNI EN ISO 12100, UNI EN 13854, ISO 8686, and UNI EN 10204 standards, and are issued with the appropriate metal ID plate, conformity certificate, and user and maintenance manual. All our products are covered by a one-year warranty (European Directive).

Application sectors

 Construction  Lifting