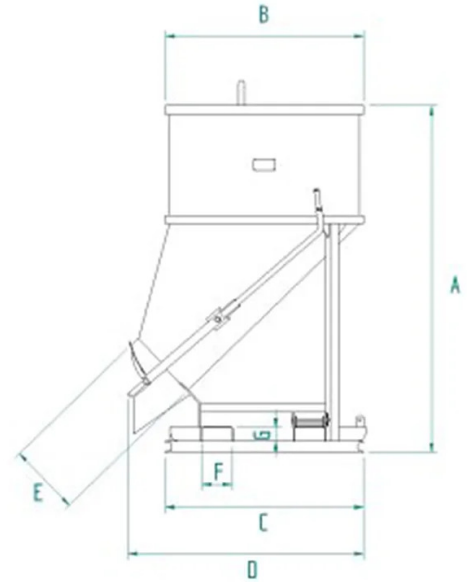


DATA SHEET - CONCRETE BUCKET WITH SIDE DISCHARGE FORKLIFT POCKETS AND LEVERED OPENING



Code	Capacity (kg)	Capacity (L)	Weight (kg)	Dimensions (mm)						
				A	B	C	D	E	F	G
BF-30ST	780	300	130	1185	935	935	1151	300	180	80
BF-40ST	1040	400	135	1350	935	935	1151	300	180	80
BF-50ST	1300	500	145	1510	935	935	1151	300	180	80
BF-75ST	1950	750	240	1781	1170	1170	1405	420	180	80
BF-99ST	2600	1000	250	2041	1170	1170	1405	420	180	80
BF-150ST	3900	1500	440	2025	1492	1492	1600	420	180	80
BF-200ST	5200	2000	500	2375	1492	1492	1600	420	180	80

DATA SHEET - CONCRETE BUCKET WITH SIDE DISCHARGE FORKLIFT POCKETS AND LEVERED OPENING

Concrete buckets



Concrete bucket with side discharge forklift pockets and levered opening

Concrete bucket with side discharge, lever opening and forkliftable base

We present the BF-ST concrete bucket model, a versatile option designed to maximize efficiency and safety on your construction site. Equipped with a side discharge and lever-operated opening, the BF-ST model is designed to offer precise control of the concrete during the discharge process thanks to a guillotine valve closure. In addition to being lifted with a crane, this model features a forkable base, allowing it to be moved with a forklift or telehandler, offering greater flexibility in the work area. The base is also equipped with a special locking mechanism that prevents the bucket from slipping off the forks, ensuring greater safety during use. Available in various sizes and capacities, as indicated in the table below, the BF-ST model can be customized to meet the specific needs of your construction site. All our buckets are built and tested according to the standards of UNI EN ISO 12100, UNI EN 13854, ISO 8686, UNI EN 10027, and UNI EN 10204, ensuring the highest quality and safety. Each product is accompanied by a metal ID plate, certificate of conformity, and user and maintenance manual. Our commitment to quality is also reflected in the one-year warranty coverage, in compliance with the European Directive.

Application sectors

 Construction