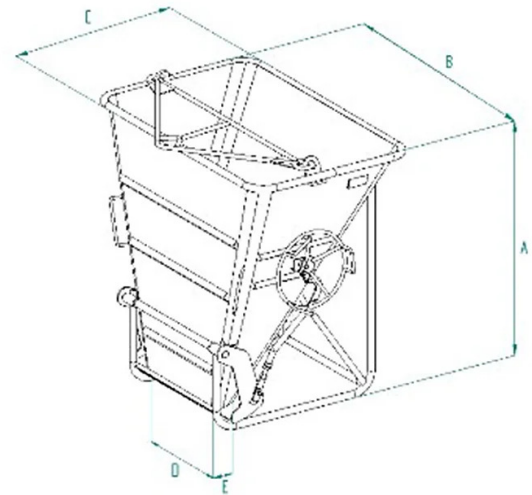


## DATA SHEET - CONCRETE BUCKET WITH SIDE DISCHARGE AND GEARED OPENING



Code	Capacity (kg)	Capacity (L)	Weight (kg)	Dimensions (mm)				
				A	B	C	D	E
BO-50H	1200	500	180	1237	1284	1118	722	137
BO-75H	1800	750	220	1463	1533	1125	722	137
BO-99H	2400	1000	250	1633	1675	1125	722	137
BO-150H	3600	1500	325	1886	1853	1270	725	137

## DATA SHEET - CONCRETE BUCKET WITH SIDE DISCHARGE AND GEARED OPENING

---

Concrete buckets




### Concrete bucket with side discharge and geared opening

#### Rectangular bucket for concrete with wheel opening

We enthusiastically introduce the BO-H model of our concrete bucket, designed to deliver excellent performance and maximum versatility on your construction site. Characterized by a rectangular shape, this bucket features a long and narrow side discharge, ideal for precise placement of concrete into formworks or environments requiring precise pours. The design of the BO-H bucket is both practical and functional, with a self-locking lever-operated opening and closing system that ensures safe and reliable operation, enabling precise control throughout the discharge process. An additional benefit is the bale arm, which facilitates handling with the crane. With the BO-H bucket, you can rely on a dependable and high-performance ally for your pouring operations, with a focus on practicality and precision. All our buckets are built and tested according to stringent safety standards, including UNI EN ISO 12100, UNI EN 13854, ISO 8686, UNI EN 10027, and UNI EN 10204. Each product is accompanied by a metal ID plate, a conformity certificate, and an operation and maintenance manual, ensuring maximum quality and safety. Furthermore, our commitment to quality is reflected in the one-year warranty coverage, in compliance with the European Directive.

#### Application sectors

 Construction