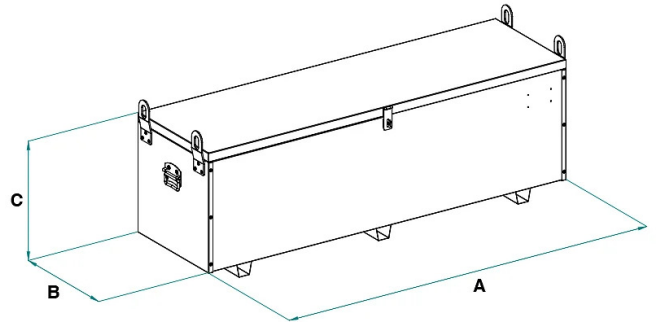


DATA SHEET - PRE-GALVANISED SHEET METAL TOOL BOX



Code	Capacity (kg)	Capacity (L)	Weight (kg)	Dimensions (mm)		
				A	B	C
PA-10.05LZ	200	200	35	900	500	510
PA-12.06LZ	200	250	45	1250	500	510
PA-18.06LZ	200	425	55	1700	500	510

DATA SHEET - PRE-GALVANISED SHEET METAL TOOL BOX

Crane accessories




Pre-galvanised sheet metal tool box

Assortment of pre-galvanized sheet metal tool boxes

We introduce our pre-galvanized sheet metal toolboxes, an economical and lightweight solution for the safe transportation and storage of tools in various work environments. These boxes are carefully designed to offer a combination of ease of use and durability. Main Features: Durability: The boxes are constructed with high-quality materials to withstand daily wear and the demands of construction site work. Side Handles and Lifting Brackets: Side handles allow for easy manual movement, lifting brackets at the base facilitate transport with forklifts, and side hooks enable lifting with four-leg chains and cranes. Lockable: Option to secure with a padlock to ensure the safety of tools during transport and storage. Upon request, we can customize the dimensions of the boxes to meet the specific needs of our customers, guaranteeing a tailored solution for every work situation. This product is constructed and tested according to UNI EN ISO 12100, UNI EN 10027-1, and UNI EN 10204 standards and comes with the appropriate metal label and conformity certificate. All our products are covered by a one-year warranty (European Directive).

Application sectors

 Construction