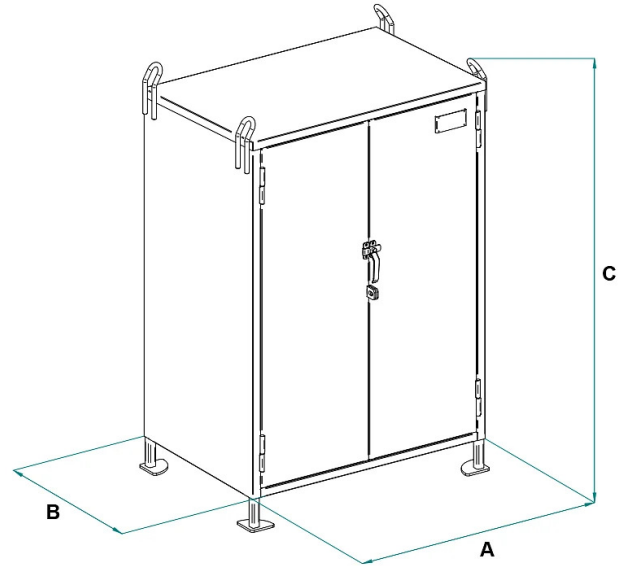


## DATA SHEET - STORAGE TOOL CABINET



| Code        | Capacity (kg) | Weight (kg) | Dimensions (mm) |     |      |
|-------------|---------------|-------------|-----------------|-----|------|
|             |               |             | A               | B   | C    |
| APA-10.07E  | 300           | 115         | 1037            | 760 | 1582 |
| APA-10.07ER | 300           | 120         | 1037            | 760 | 1680 |

## DATA SHEET - STORAGE TOOL CABINET

---

Crane accessories



## Storage tool cabinet

### Cabinet for storage of construction site equipment

The 2-door construction site cabinet with internal shelves is a versatile and sturdy solution for the organized storage of equipment, tools, and materials in the dynamic work environments of construction sites. Its intelligent design aims to maximize safety, accessibility, and durability, meeting the specific needs of the construction industry. Key Features: **Sturdy Structure:** Built with high-quality materials, the cabinet features a robust structure that ensures strength and durability over time, adapting to the challenges of the construction site work environment. **Secure Locking System:** The two doors of the cabinet are equipped with a practical and sturdy locking system, ensuring the protection of tools and preventing unauthorized access. **Internal Shelves:** The interior of the cabinet is designed with shelves, offering flexibility in organizing space to accommodate equipment of various sizes and shapes. **Handling:** The cabinet can be moved through the 4 lifting points welded to the ends of the roof or with the forklift forks at the base. **Optional Mobility:** Some models can be equipped with sturdy wheels, facilitating the movement of the cabinet from one area to another on the construction site, offering convenience and flexibility. **Robust Construction and Weather Resistance:** The cabinet is built to withstand weather conditions, protecting its contents from rain, dust, and other adverse environmental conditions.

### Application sectors

 Construction