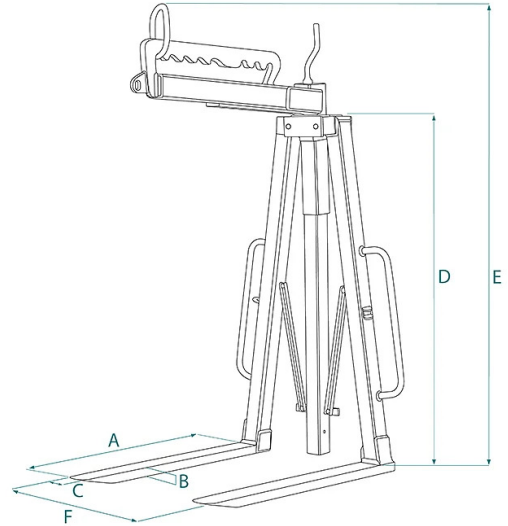


DATA SHEET - MANUAL BALANCING PALLET FORK



Code	Capacity (kg)	Weight (kg)	Dimensions (mm)					
			A	B	C	D	E	F
MBCR-10	1000	110	1000	25	90	1100	1600	340-1400
MBCR-15	1500	120	1000	30	90	1100	1600	340-1400
MBCR-20	2000	140	1000	35	100	1100	1600	340-1400

DATA SHEET - MANUAL BALANCING PALLET FORK

Crane forks



Manual balancing pallet fork

Crane fork with manual balancing, low model

Our MBCR model is a crane fork that is easily used in truck cranes due to its limited height clearance. It also features a functional and manageable closure lock via a specific handwheel. All our crane forks are built and tested according to UNI EN 13155, UNI EN ISO 12100, UNI EN 13854, ISO 8686, and UNI EN 10204 standards and are issued with the appropriate metal ID plate, certificate of conformity, and user and maintenance manual. All our products are covered by a one-year warranty (European Directive).

Application sectors

 Construction  Lifting