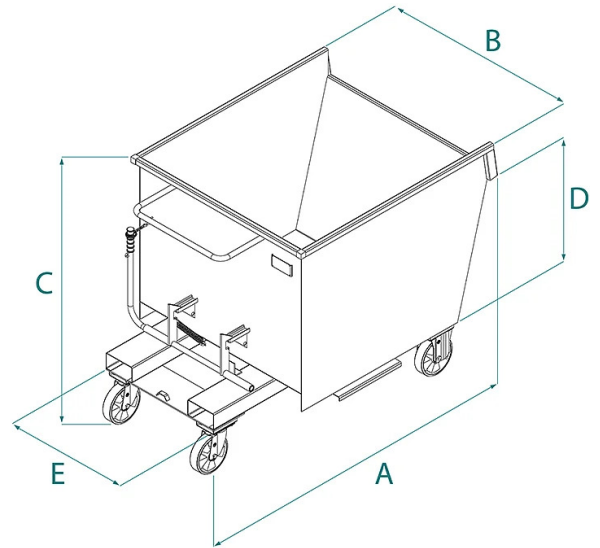


## DATA SHEET - FORKLIFT TIPPING SKIP



Code	Capacity (kg)	Capacity (L)	Weight (kg)	Dimensions (mm)				
				A	B	C	D	E
BB-30	600	300	80	1345	860	982	555	585
BB-40	600	400	90	1348	860	990	749	580
BB-50	1000	500	100	1480	980	925	835	660
BB-80	1350	800	155	1515	1110	1075	975	700
BB-99	1500	1000	190	1640	1110	1195	1045	700
BB-135	1500	1350	195	1610	1345	1195	1045	800
BB-160	1500	1600	215	1610	1600	1195	1045	800
BB-200	1500	2000	255	1620	2100	1195	1148	800

**DATA SHEET - FORKLIFT TIPPING SKIP**

---


**Industrial lifting**

## Forklift tipping skip

### Tipping skip with forklift pockets and wheels

The BB model represents the optimal solution for easy and safe collection, transportation, and discharge of industrial waste, chips, scraps, and debris near work areas. The bucket is equipped with an anti-tipping and sliding mechanism with a safety chain, a quick and safe hitching system, and an automatic unloading mechanism operable directly by the operator seated on the forklift. The high load capacity polyurethane wheels allow the containers to be moved manually on flat surfaces silently. Upon request, the buckets can be equipped with a watertight settling tank and a drainage plug for liquids. All our buckets are built and tested in compliance with the UNI EN ISO 12100, UNI EN 13854, ISO 8686, UNI EN 10027, and UNI EN 10204 standards, and are supplied with the appropriate metal ID plate, a certificate of conformity, and a user and maintenance manual. In addition to this, all our products are covered by a one-year warranty in accordance with the European Directive.

### Application sectors

 **Industry**