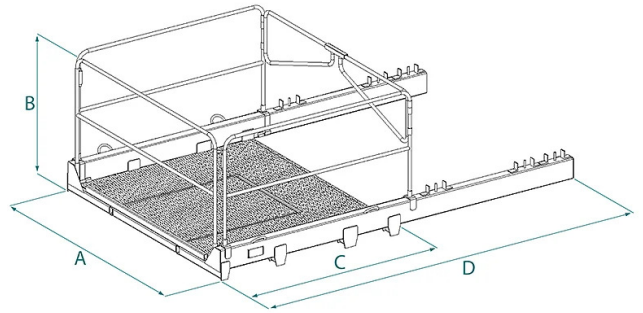


## DATA SHEET - GALVANIZED CRANE LOADING PLATFORM



Code	Capacity (kg)	Weight (kg)	Dimensions (mm)			
			A	B	C	D
PIA-15ZN	1500	235	1910	960	1650	3002
PIA-20ZN	2000	250	1960	1070	1500	3010

## DATA SHEET - GALVANIZED CRANE LOADING PLATFORM

---

### Construction items



## Galvanized crane loading platform

### Loading platform for material handling with crane

Loading platforms represent an essential solution to facilitate the transportation of materials and equipment to and from buildings and structures. These modular structures offer numerous advantages, making loading and unloading operations more efficient. They allow for the safe transit of goods and equipment in environments such as construction sites, warehouses, buildings under construction, or industrial facilities. The platforms are designed to ensure maximum safety during loading and unloading operations, with a solid and stable structure that reduces the risk of accidents. They are equipped with non-slip surfaces to ensure safe traction, further reducing the potential for accidents. The platforms can be quickly installed and removed, allowing for greater flexibility in space usage and minimizing any inconvenience due to construction work or material transfers. The crane loading platform is also available in a galvanized version.

### Application sectors

 Construction