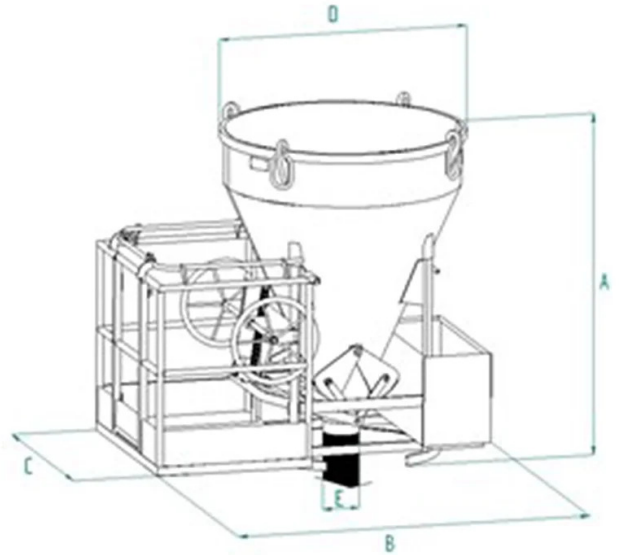


DATA SHEET - CONICAL CONCRETE BUCKET WITH RUBBER HOSE AND OPERATOR PLATFORM



| Code | Capacity (kg) | Capacity (L) | Weight (kg) | Dimensions (mm) | | | | |
|---------|---------------|--------------|-------------|-----------------|------|------|------|-----|
| | | | | A | B | C | D | E |
| CT-50P | 1300 | 500 | 315 | 1250 | 1930 | 1200 | 1050 | 200 |
| CT-80P | 2080 | 800 | 360 | 1490 | 1930 | 1200 | 1250 | 200 |
| CT-99P | 2600 | 1000 | 390 | 1802 | 1802 | 1802 | 1350 | 200 |
| CT-150P | 3900 | 1500 | 440 | 2182 | 2182 | 2182 | 1350 | 200 |
| CT-200P | 5200 | 2000 | 465 | 2480 | 2480 | 2480 | 1350 | 200 |
| CT-250P | 6500 | 2500 | 680 | 1904 | 1904 | 1904 | 1885 | 200 |
| CT-300P | 7800 | 3000 | 800 | 2180 | 2180 | 2180 | 1885 | 200 |

DATA SHEET - CONICAL CONCRETE BUCKET WITH RUBBER HOSE AND OPERATOR PLATFORM

Concrete buckets




Conical concrete bucket with rubber hose and operator platform

Conical concrete bucket with central discharge, rubber hose and operator platform

We are excited to introduce the CT-P model conical concrete bucket, carefully designed to ensure optimal performance and precision in your large-scale construction pouring projects. The CT-P model features a central discharge with a rubber hose and lever-operated opening, with automatic spring closure. The platform directly connected to the base of the bucket ensures a smoother and safer working experience, allowing the operator to be closer to the pouring location. The bucket is lifted with a four-legs chain sling and includes a 2-meter-long, 200 mm diameter tube, which can also be provided in different sizes and lengths upon request, to fit the specific needs of your project. We offer the CT-P model in various capacities, as specified in the table below. All our buckets are built and tested in accordance with stringent UNI EN ISO 12100, UNI EN 13854, ISO 8686, UNI EN 10027, and UNI EN 10204 standards. Each product is accompanied by a metal ID plate, conformity certificate, and operation and maintenance manual to ensure proper use over time. Additionally, all our products are covered by a one-year warranty, in compliance with the European Directive.

Application sectors

 Construction