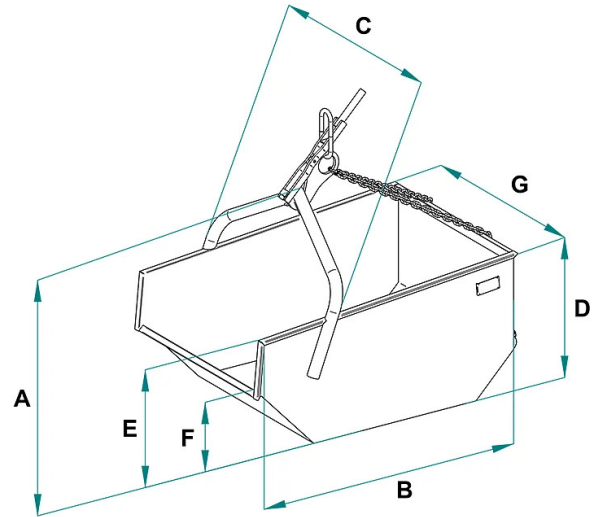


DATA SHEET - CHAIN-OPERATED DISCHARGE BOAT SKIP



Code	Capacity (kg)	Capacity (L)	Weight (kg)	Dimensions (mm)						
				A	B	C	D	E	F	G
A-30C	600	300	65	840	1200	950	540	450	260	780
A-50C	1000	500	80	980	1300	1050	600	490	270	980
A-75C	1500	750	120	1100	1500	1170	740	620	340	1080
A-99C	2000	1000	160	1350	1750	1350	905	660	385	1280
A-150C	3000	1500	210	1450	1750	1400	830	830	650	1330

DATA SHEET - CHAIN-OPERATED DISCHARGE BOAT SKIP

Boat skips




Chain-operated discharge boat skip

Self dumping bin with fixed arm and 2 legs chain sling

This self-dumping bin for cranes is designed with a 2-arm chain welded to the back and a fixed lifting arm. The rear chain ensures efficient material tipping, while the fixed arch guarantees stability during lifting. Key Features: Rear Welded Chain: The 2-arm chain welded to the back of the bucket allows for the rapid and safe automatic dumping of materials. This design eliminates the need for manual intervention during the dumping process, increasing efficiency and safety on the job site. Fixed Arch: The fixed arch is designed to ensure the stability of the bucket during lifting and transport of materials. This feature helps prevent unwanted tipping and ensures safe lifting even with heavy loads. Suitable for Various Materials: This bucket is suitable for handling a wide range of materials, including debris, aggregates, sand, gravel, and more. Safety and Compliance: The bucket is designed and built in compliance with the strictest international safety and quality standards. This self-dumping bucket is available in various capacities and sizes to meet the specific needs of your project. All our buckets are built and tested according to UNI EN ISO 12100, UNI EN 13854, ISO 8686, UNI EN 10027, and UNI EN 10204 standards, and come with a dedicated metal ID plate, certificate of conformity, and user and maintenance manual. All our products are covered by a one-year warranty (European Directive).

Application sectors

 Construction