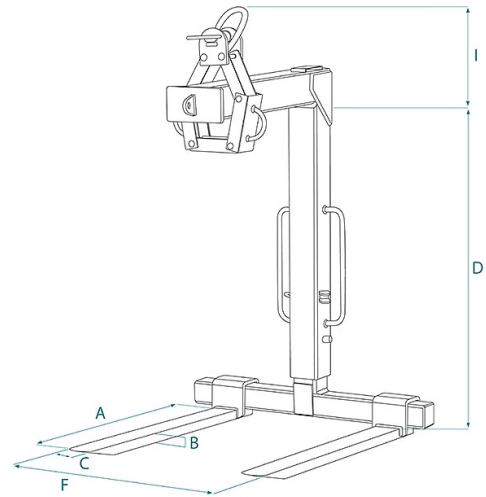


DATA SHEET - MANUAL BALANCE CRANE FORK WITH HEIGHT AND FORKS ADJUSTABLE



Code	Capacity (kg)	Weight (kg)	Dimensions (mm)					
			A	B	C	D	E	F
MBR-15M	1500	165	1000	30	90	1150-1700	600	350-1000
MBR-20M	2000	180	1000	35	100	1150-1800	600	350-1000
MBR-25M	2500	225	1000	40	90	1150-1800	600	350-1000
MBR-30M	3000	255	1000	35	120	1150-1800	600	350-1000

DATA SHEET - MANUAL BALANCE CRANE FORK WITH HEIGHT AND FORKS ADJUSTABLE

Crane forks



Manual balance crane fork with height and forks adjustable

Crane fork with manual balancing

The height-adjustable telescopic crane fork with manual balancing and adjustable tines is designed for efficient load lifting on trucks due to its limited height clearance. With an adjustable telescopic system, adaptable tines, and manual balancing, it offers flexibility, precise control, and ease of use. Made with robust materials, it ensures durability and compliance with safety regulations. All our crane forks are built and tested according to UNI EN 13155, UNI EN ISO 12100, UNI EN 13854, ISO 8686, and UNI EN 10204 standards and are issued with the appropriate metal ID plate, certificate of conformity, and user and maintenance manual. All our products are covered by a one-year warranty (European Directive).

Application sectors

 Construction  Lifting