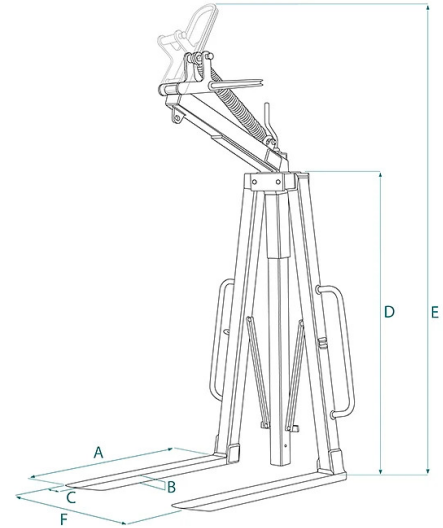


DATA SHEET - LOWERED SELF BALANCING CRANE FORK WITH ADJUSTABLE TINES



Code	Capacity (kg)	Weight (kg)	Dimensions (mm)					
			A	B	C	D	E	F
MB-06	600	90	1000	25	80	1100	2400	400-1600
MB-10	1000	95	1000	25	90	1100	2400	400-1600
MB-15	1500	110	1000	30	90	1100	2400	400-1600
MB-20	2000	125	1000	35	100	1100	2400	400-1600

DATA SHEET - LOWERED SELF BALANCING CRANE FORK WITH ADJUSTABLE TINES

Crane forks




Lowered self balancing crane fork with adjustable tines

Crane fork with automatic spring balancing

The crane fork features a practical adjustment up to the desired opening and a functional and manageable closure using a special handwheel. The MB model is compact in size, always smaller than the load to be handled. The springs ensure automatic weight balancing and optimal stability during lifting operations. All our crane forks are built and tested according to UNI EN 13155, UNI EN ISO 12100, UNI EN 13854, ISO 8686, and UNI EN 10204 standards and are issued with the appropriate metal ID plate, certificate of conformity, and user and maintenance manual. All our products are covered by a one-year warranty (European Directive).

Application sectors

 Construction  Lifting