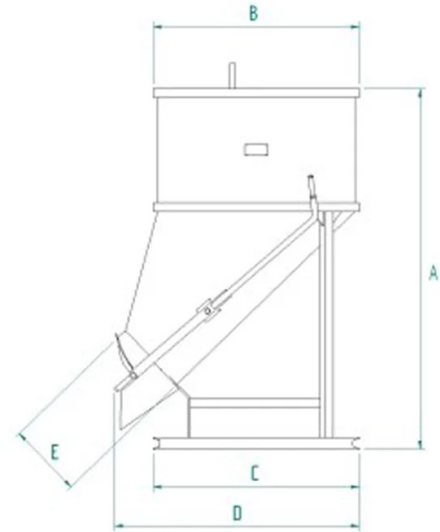


## DATA SHEET - CONCRETE BUCKET WITH RUBBER HOSE AND SIDE DISCHARGE



Code	Capacity (kg)	Capacity (L)	Weight (kg)	Dimensions (mm)				
				A	B	C	D	E
BF-50T	1300	500	110	1510	935	935	1130	200
BF-75T	1950	750	210	1781	1170	1170	1415	200
BF-99T	2600	1000	235	2041	1170	1170	1415	200
BF-150T	3900	1500	430	1990	1492	1408	1630	200
BF-200T	5200	2000	460	2290	1492	1408	1630	200

## DATA SHEET - CONCRETE BUCKET WITH RUBBER HOSE AND SIDE DISCHARGE

---

Concrete buckets



### Concrete bucket with rubber hose and side discharge

#### Concrete bucket with side discharge and rubber hose

We are pleased to introduce the BF-T model concrete bucket, designed to offer reliable and versatile performance in your construction projects on site. Characterized by a side discharge, a guillotine valve with lever-operated opening, this model provides an excellent solution for transporting and pouring concrete with a construction crane. The bucket is lifted with a three-legs chain sling and includes a 2-meter-long, 200 mm diameter tube, which can also be provided in different sizes and lengths upon request, to fit the specific needs of your project. The BF-T model can be customized with a forkable base to allow lifting with a forklift or telescopic handler, offering unparalleled operational flexibility (see also the BF-ST model). Available in various sizes and capacities, as detailed in the specifications table, this item can be adapted to the specific requirements of your project. All our buckets are built and tested in accordance with stringent UNI EN ISO 12100, UNI EN 13854, ISO 8686, UNI EN 10027, and UNI EN 10204 standards. Each product is accompanied by a metal ID plate, conformity certificate, and operation and maintenance manual to ensure proper use over time. Additionally, all our products are covered by a one-year warranty, in compliance with the European Directive.

#### Application sectors

 Construction