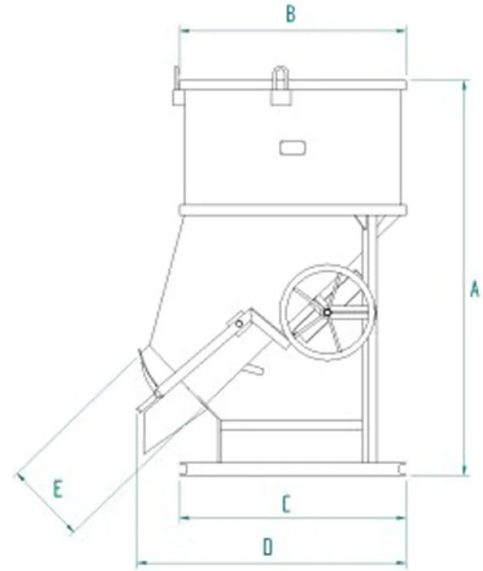


## DATA SHEET - CONICAL CONCRETE BUCKET WITH BOTTOM-SIDE DISCHARGE AND GEARED OPENING



Code	Capacity (kg)	Capacity (L)	Weight (kg)	Dimensions (mm)				
				A	B	C	D	E
BF-30V	780	300	120	1185	935	935	1110	300
BF-40V	1040	400	125	1350	935	935	1110	300
BF-50V	1300	500	135	1510	935	935	1160	300
BF-75V	1950	750	220	1781	1170	1170	1390	420
BF-99V	2600	1000	235	2041	1170	1170	1390	420
BF-150V	3900	1500	430	2025	1492	1492	1600	420
BF-200V	5200	2000	445	2375	1492	1492	1600	420

## DATA SHEET - CONICAL CONCRETE BUCKET WITH BOTTOM-SIDE DISCHARGE AND GEARED OPENING

Concrete buckets



### Conical concrete bucket with bottom-side discharge and geared opening

#### Concrete bucket with side discharge and wheel opening

We present the BF-V model, a side discharge concrete bucket for cranes, a versatile option designed to meet the specific needs of your construction projects. Equipped with a side discharge and manual double-wheel opening, the BF-V model ensures precise control of the concrete pour thanks to its guillotine closure. You can request the BF-V model with a base equipped for lifting with a forklift or telehandler, model BF-VST, or request the application of a rubber hose, model BF-VT. Available in various sizes and capacities, as indicated in the table below, the BF-V model can be customized to meet the specific needs of your project. All our buckets are built and tested according to the rigorous standards of UNI EN ISO 12100, UNI EN 13854, ISO 8686, UNI EN 10027, and UNI EN 10204, ensuring the highest quality and safety. Each product is accompanied by a metal ID plate, certificate of conformity, and user and maintenance manual. Our commitment to quality is also reflected in the one-year warranty coverage, in compliance with the European Directive.

#### Application sectors

 Construction