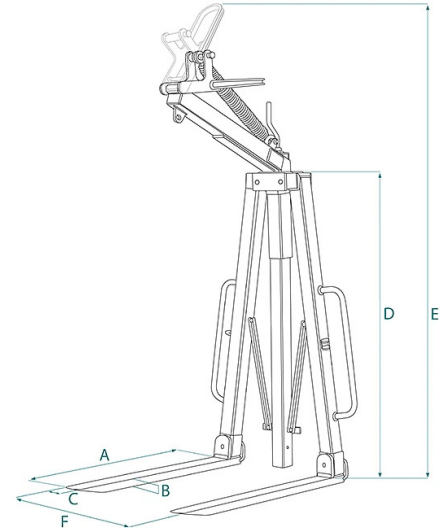


DATA SHEET - SELF BALANCING CRANE FORK WITH SELF LEVELLING PINS



Code	Capacity (kg)	Weight (kg)	Dimensions (mm)					
			A	B	C	D	E	F
MBA-06A	600	95	1000	25	80	1300	2400	400-1600
MBA-10A	1000	120	1000	25	90	1300	2400	400-1600
MBA-15A	1500	130	1000	30	90	1300	2400	400-1600
MBA-20A	2000	150	1000	35	100	1300	2400	400-1600
MBA-25A	2500	180	1000	40	90	1300	2400	400-1600
MBA-30A	3000	190	1000	35	120	1300	2400	400-1600

DATA SHEET - SELF BALANCING CRANE FORK WITH SELF LEVELLING PINS

Crane forks





Self balancing crane fork with self levelling pins

Compass crane fork with automatic balancing and self-leveling tines

Our spring-loaded automatic balancing crane fork model MBA-A features tine adjustment up to the desired opening through a simple and functional handwheel. The self-leveling tines also allow them to remain parallel to the ground, facilitating pallet insertion. The MBA-A model has a useful load height of 1300 mm (on request, it can be increased up to 1700 mm), large handles to facilitate fork orientation during pallet insertion and removal, and thin tines for greater maneuverability. All our crane forks are equipped with a strap and ratchet in compliance with EN13155 regulations, ensuring safety and compliance with European lifting standards. Additionally, they are equipped with 2 welded perforated plates, which serve as a provision for the installation of the safety net. All our forks are also built and tested according to UNI EN ISO 12100, UNI EN 13854, ISO 8686, and UNI EN 10204 standards and are issued with the appropriate metal ID plate, certificate of conformity, and user and maintenance manual. All our products are covered by a one-year warranty (European Directive).

Application sectors

 Construction  Lifting