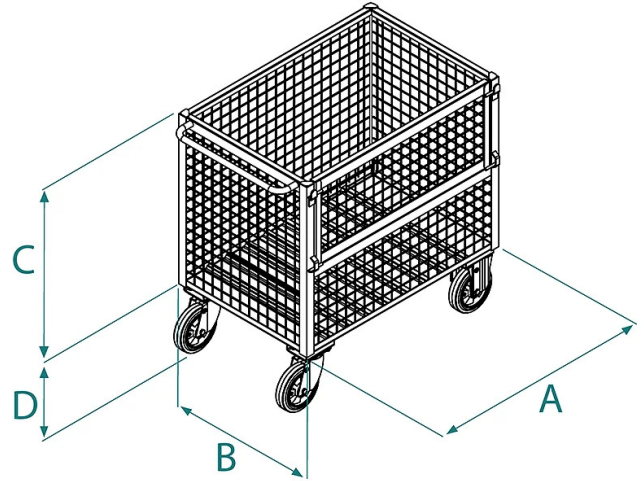


## DATA SHEET - SERVICE TROLLEYS



Code	Capacity (kg)	Weight (kg)	Dimensions (mm)			
			A	B	C	D
CS-2	150	45	1020	620	800	240
CS-3	150	55	1020	620	500	240
CS-R	500	50	1050	700	750	240

## DATA SHEET - SERVICE TROLLEYS

Crane accessories



## Service trolleys

### Service carts for manual handling of goods

Service carts for manual handling of goods are practical and efficient solutions designed to simplify the transportation of goods in various environments, such as warehouses, construction sites, or industrial facilities. These carts are ideal for facilitating manual handling of loads, improving efficiency, and reducing the physical effort required. Key Features: Robust Structure: Made of high-quality materials, service carts feature a sturdy and durable structure capable of supporting variable loads without compromising safety. Ergonomic Design: The ergonomic design ensures easy maneuverability and comfortable use. Well-positioned handles and grips reduce the physical effort required during handling. Quality Wheels: Equipped with sturdy and swivel wheels, the carts allow for smooth and precise steering even through tight spaces. The wheels can be locked to ensure stability during loading and unloading operations. Service carts are available in two variants: with sheet metal shelves (two or three) or with metal mesh sides. They are designed to facilitate manual handling of goods, offering a versatile and practical solution. Available Models: CS-2: Service cart with two sheet metal shelves. CS-3: Service cart with three sheet metal shelves. CS-R: Service cart with metal mesh structure and door. This product is built and tested according to UNI EN ISO 12100, UNI EN 10027-1, and UNI EN 10204 standards and is issued with the appropriate metal label, certificate of conformity, and user manual. All our products are covered by a one-year warranty (European Directive).

### Application sectors

 Construction