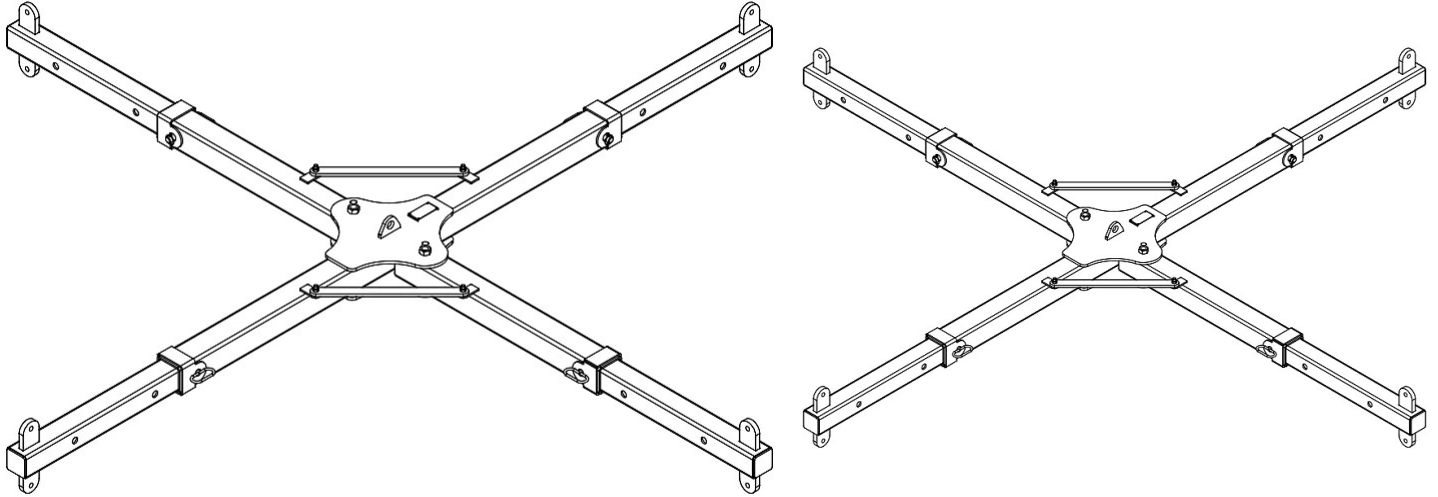


DATA SHEET - TELESCOPIC AND/OR FOLDABLE X LIFTING BEAM



Code

BIL-*/*_X

DATA SHEET - TELESCOPIC AND/OR FOLDABLE X LIFTING BEAM

Lifting beams



Telescopic and/or foldable X lifting beam

Telescopic and/or foldable X lifting beam

Telescopic and foldable X-shaped lifting beams offer several advantages and practical applications. Here are some reasons to use them: **Dimensional Versatility:** Thanks to their telescopic structure, these lifting beams can adapt to various load sizes. Their extendibility allows them to handle a variable range of objects. **Ease of Transport:** Being foldable, the lifting beams can be compacted for easier transportation and handling. This feature is particularly useful for transporting equipment to different job sites. **Adjustability:** The ability to adjust the length of the arms helps customize the lifting beam according to specific lifting needs, ensuring proper weight distribution. **Optimized Storage:** The ability to fold or collapse allows for optimized storage space when the lifting beams are not in use, helping to keep the workplace tidy and efficient. **Ease of Use:** The X-shaped structure provides good stability and balance, facilitating safe use during lifting operations. The telescopic feature allows for handling loads of variable sizes without the need for different types of lifting beams. **Adaptability to Various Applications:** Telescopic X-shaped lifting beams can be used in a variety of sectors, such as lifting equipment, materials, and objects in industrial, construction, or logistical contexts. All equipment is CE certified and supplied complete with an instruction and maintenance manual. Upon request, we can provide a calculation report signed by a qualified technician.

Application sectors

 Lifting