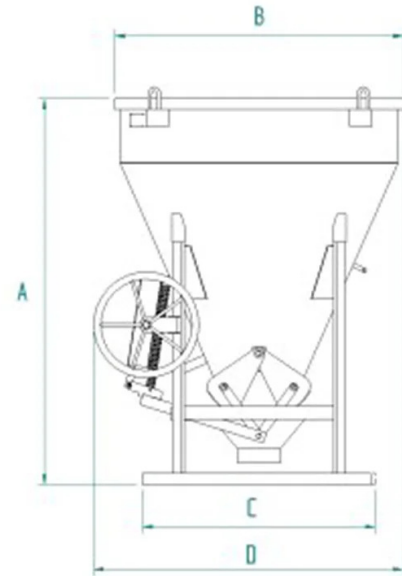



DATA SHEET - CONICAL CONCRETE BUCKET WITH RUBBER HOSE AND GEARED OPENING



Code	Capacity (kg)	Capacity (L)	Weight (kg)	Dimensions (mm)			
				A	B	C	D
CT-50V	1300	500	185	1535	1090	1090	1320
CT-75V	1950	750	210	1652	1350	1090	1450
CT-99V	2600	1000	225	1802	1350	1090	1450
CT-150V	3900	1500	390	2100	1585	1293	1637
CT-200V	5200	2000	420	2380	1585	1293	1637

DATA SHEET - CONICAL CONCRETE BUCKET WITH RUBBER HOSE AND GEARED OPENING**Concrete buckets****Conical concrete bucket with rubber hose and geared opening****Conical concrete bucket with central discharge, rubber hose, and double wheel opening**

We are excited to introduce our innovative CT-V model concrete bucket, designed to deliver excellent performance and unparalleled precision in your construction site pouring operations. The CT-V model features a central discharge with a robust rubber hose and a dual-wheel opening system. The bucket comes with a 2-meter-long rubber hose with a diameter of 200 mm, with the option to request extended lengths upon specific demand. The conical shape of this model and the presence of the wheel-operated rubber hose make it particularly suitable for concrete pours on formworks and pillars. The CT-V model is available with two lifting options: three lifting points or lifting arm, offering flexibility and adaptability to your specific on-site needs. This item is available in a wide range of sizes and capacities, as indicated in the table below, and can be customized to meet your project's particular requirements. All our buckets are built and tested in accordance with stringent UNI EN ISO 12100, UNI EN 13854, ISO 8686, UNI EN 10027, and UNI EN 10204 standards. Each product is accompanied by a metal ID plate, conformity certificate, and operation and maintenance manual to ensure proper use over time. Additionally, all our products are covered by a one-year warranty, in compliance with the European Directive.

Application sectors **Construction**