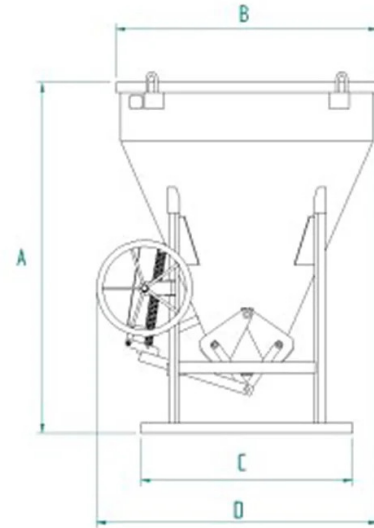


DATA SHEET - HEAVY DUTY CONICAL CONCRETE BUCKET WITH CENTRAL DISCHARGE AND ATTACHMENTS



Code	Capacity (kg)	Capacity (L)	Weight (kg)	Dimensions (mm)			
				A	B	C	D
C-50V	1300	500	175	1500	1090	1090	1319
C-75V	1950	750	185	1652	1350	1090	1449
C-99V	2600	1000	200	1802	1350	1090	1449
C-150V	3900	1500	370	2100	1584	1293	1637
C-200V	5200	1500	400	2380	1584	1293	1637

DATA SHEET - HEAVY DUTY CONICAL CONCRETE BUCKET WITH CENTRAL DISCHARGE AND ATTACHMENTS

Concrete buckets



Heavy duty conical concrete bucket with central discharge and attachments

Conical concrete bucket with central discharge and double wheel opening

The C-V concrete bucket model is characterized by manual opening with a double wheel, ensuring precise control during concrete discharge. This model offers flexibility in terms of lifting, with the option to choose between 3 lifting hooks or a lifting arm, adapting to the specific needs of your construction site. The C-V bucket is available in various sizes and capacities, as indicated in the table below, and we offer the possibility of making customized modifications to meet your most particular requirements. All our buckets are built and tested according to the standards of UNI EN ISO 12100, UNI EN 13854, ISO 8686, UNI EN 10027, and UNI EN 10204, ensuring the highest quality and safety. Each product is accompanied by a metal label, certificate of conformity, and user and maintenance manual. Our commitment to quality is also reflected in the one-year warranty coverage, in compliance with the European Directive. Choose our C-V concrete bucket for a reliable and durable solution on your construction site.

Application sectors

 Construction