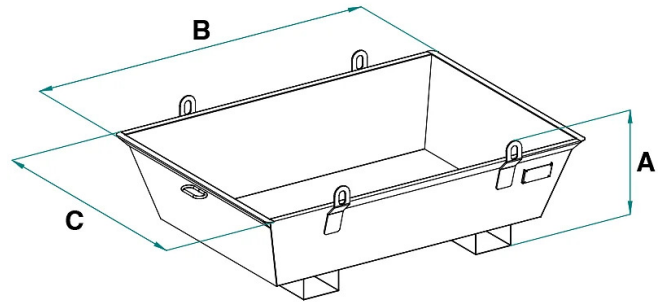


DATA SHEET - GALVANIZED STACKABLE MORTAR SKIP



Code	Capacity (kg)	Capacity (L)	Weight (kg)	Dimensions (mm)		
				A	B	C
MS-30ZN	660	300	60	433	1441	1029
MS-40ZN	880	400	65	508	1486	1073
MS-50ZN	1100	500	70	573	1524	1111

DATA SHEET - GALVANIZED STACKABLE MORTAR SKIP

Crane accessories



Galvanized stackable mortar skip

Galvanized stackable mortar skip with forklift pockets

The Model M-SZN stackable mortar skip with forklift pockets is a versatile and reliable solution for transporting mortar or concrete in various worksite contexts. Made of high-quality galvanized steel, this container ensures greater corrosion resistance, making it ideal for environments subject to humidity or aggressive weather conditions. This model, in addition to being stackable to optimize space on the worksite, is designed to be forked at the base, while the presence of 4 rings on the sides allows for lifting by a crane using four-arm chains. The product is built and tested in compliance with strict UNI EN ISO 12100, UNI EN 349, UNI ISO 8686, UNI EN 10027, and UNI EN 10204 standards. Each product comes with a metal ID plate, certificate of conformity, and user and maintenance manual to ensure proper use over time. Additionally, all our products are covered by a one-year warranty, in accordance with the European Directive.

Application sectors

 Construction