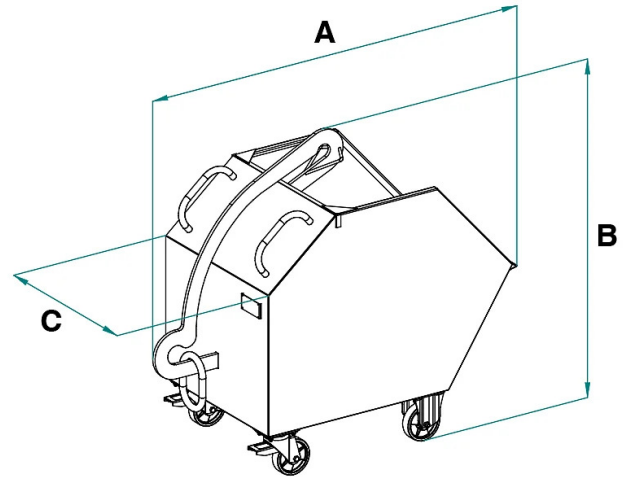


DATA SHEET - SELF DUMPING BIN WITH CASTOR WHEELS



Code	Capacity (kg)	Capacity (L)	Weight (kg)	Dimensions (mm)		
				A	B	C
A-30R	600	300	90	1300	680	1000
A-60R	1200	600	130	1460	730	1268
A-80R	1600	800	150	1541	860	1410

DATA SHEET - SELF DUMPING BIN WITH CASTOR WHEELS

Boat skips



Self dumping bin with castor wheels

Self dumping bin with castor wheels for aggregates and debris

The A-R model is our self-dumping bin equipped with castor wheels, designed to offer maximum convenience on construction sites and in industrial contexts. Its distinctive feature consists of 4 wheels welded to the bottom (2 swiveling and 2 fixed with varying diameters) that facilitate movement both outside and inside buildings. The bucket features a fixed lifting arm and an internal sliding bell that allows for automatic movement and tipping with the aid of a construction crane, thus eliminating the need for manual intervention by an operator. This model also offers the additional flexibility of being moved on the ground thanks to the 4 polyurethane wheels positioned at the bottom, making it easily maneuverable during waste debris removal operations, especially in confined spaces, such as during renovation work. The specific dimensions allow the bucket to pass through doors without any problems. All buckets are designed, built, and subjected to rigorous quality tests in compliance with UNI EN ISO 12100, UNI EN 13854, ISO 8686, UNI EN 10027, and UNI EN 10204 standards. Each unit comes with a metal ID plate, a certificate of conformity, and a complete manual of instructions for optimal use and maintenance. We are also proud to offer a one-year warranty on our products, in accordance with European directives, guaranteeing your peace of mind and long-term satisfaction.

Application sectors

 Construction