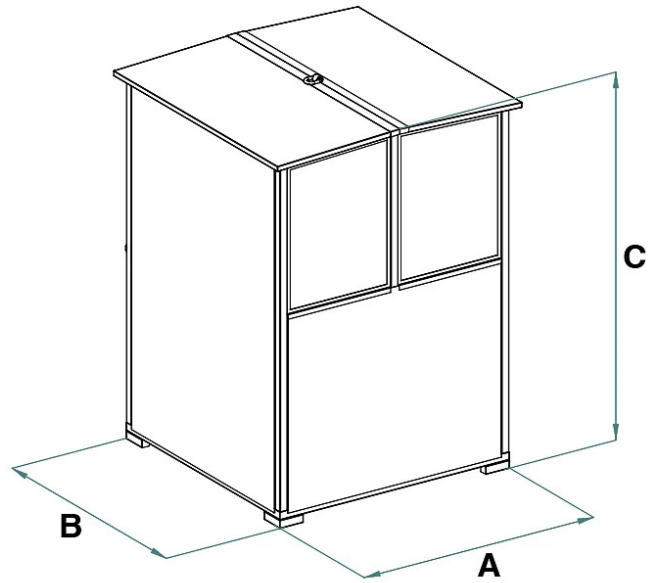


## DATA SHEET - BRIEFING STATION FOR CONSTRUCTION SITE



Code	Weight (kg)	Dimensions (mm)		
		A	B	C
BOX-L	425	1601	1601	2232

## DATA SHEET - BRIEFING STATION FOR CONSTRUCTION SITE

---

### Construction items




## Briefing station for construction site

### Mobile site office

Explore the practicality of our innovative mobile construction office made of sheet metal, designed to ensure easy document consultation, protected from weather elements like rain and sunlight. With dimensions of 1500×1500×2200 mm, this office provides a compact and functional working environment. The tilted internal reading platform is specially designed to facilitate document consultation, creating a comfortable and efficient workspace. The presence of a four-legs chain sling lifting system makes transport and repositioning effortless. Easy access is guaranteed by a side door, while the plexiglass window contributes to natural lighting and clear visibility of the surrounding environment.

### Application sectors

 Construction