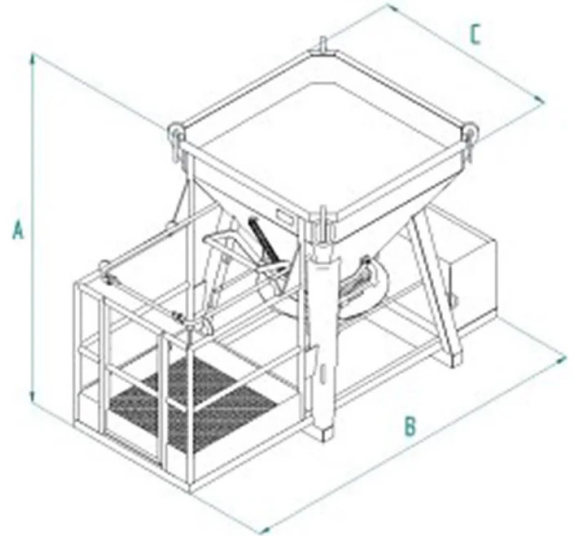


## DATA SHEET - CONCRETE BUCKET WITH RUBBER HOSE LEVERED OPENING AND OPERATOR PLATFORM



Code	Capacity (kg)	Capacity (L)	Weight (kg)	Dimensions (mm)		
				A	B	C
BCE-80P	2080	800	570	1686	2640	1360
BCE-99P	2600	1000	650	1783	2640	1360
BCE-125P	3250	1250	675	1956	2640	1360
BCE-150P	3900	1500	700	1996	2795	1560
BCE-200P	5200	2000	810	2206	2795	1560
BCE-250P	6500	2500	860	2079	3085	1780
BCE-300P	7800	3000	980	2254	3085	1780

## DATA SHEET - CONCRETE BUCKET WITH RUBBER HOSE LEVERED OPENING AND OPERATOR PLATFORM

Concrete buckets



### Concrete bucket with rubber hose levered opening and operator platform

#### Octagonal concrete bucket with rubber hose and operator platform

The BCE-P model is designed with high standards to ensure reliable and versatile performance, meeting the specific needs of large-scale construction sites. Equipped with a central discharge featuring a rubber hose and a guillotine valve operated by a lever with automatic spring closure, this model is highly functional for pouring into formworks. The platform directly connected to the base of the bucket ensures a smoother and safer working experience, allowing the operator to position close to the pouring area. The bucket features lifting with a four-legs chain sling and mounts a 2-meter long, 200 mm diameter rubber hose, also available in different sizes and lengths upon request to adapt to your project's specific needs. The BCE-P model is offered in various capacities, as indicated in the table below. All our buckets are built and tested according to rigorous quality and safety standards, ensuring compliance with UNI EN ISO 12100, UNI EN 13854, ISO 8686, UNI EN 10027, and UNI EN 10204 regulations. Each unit is accompanied by a metal ID plate, conformity certificate, and user manual. Furthermore, all our products are covered by a one-year warranty, in compliance with the European Directive, and are constructed with certified materials to ensure durability and safety, meeting the required quality standards in the construction industry.

#### Application sectors

 Construction