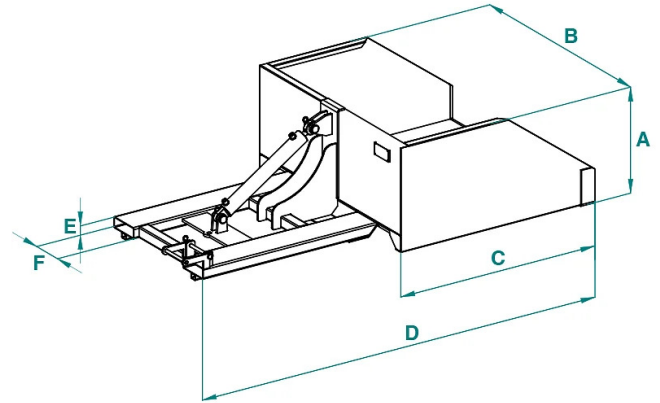


DATA SHEET - FORKLIFT HYDRAULIC SHOVEL



Code	Capacity (kg)	Capacity (L)	Weight (kg)	Dimensions (mm)					
				A	B	C	D	E	F
BR-50I	1300	500	205	591	1284	1157	2187	172	52
BR-99I	2240	1000	275	675	1824	1250	2280	172	52

DATA SHEET - FORKLIFT HYDRAULIC SHOVEL

Boat skips




Forklift hydraulic shovel

Forklift shovel with automatic tilting and hydraulic piston

The BR-I model is a modern forklift bucket with automatic tipping and hydraulic piston. Experience an unprecedented level of efficiency and convenience in your construction projects with this innovative equipment. Forget the complications of manual tipping: the BR-I bucket simplifies your workflow, ensuring smooth and precise material handling. All our buckets are built and tested according to UNI EN ISO 12100, UNI EN 13854, ISO 8686, UNI EN 10027 and UNI EN 10204 standards and come with the appropriate metal ID plate, conformity certificate, and user and maintenance manual. All our products are covered by a one-year warranty (European Directive).

Application sectors

 Construction