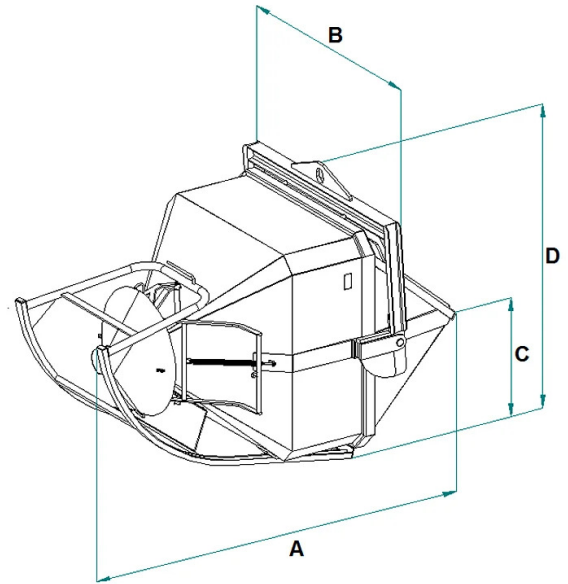


DATA SHEET - LAYDOWN CONCRETE COLUMN SKIP WITH RUBBER HOSE



Code	Capacity (kg)	Capacity (L)	Weight (kg)
BC-40	1040	400	245
BC-50	1300	500	255
BC-60	1560	600	260
BC-80	2080	800	320
BC-99	2600	1000	395
BC-125	3250	1250	430
BC-150	3900	1500	515
BC-175	4550	1750	
BC-200	5200	2000	600

DATA SHEET - LAYDOWN CONCRETE COLUMN SKIP WITH RUBBER HOSE

Concrete buckets




Laydown concrete column skip with rubber hose

Laydown concrete bucket with rubber hose and lever opening

The concrete bucket, with lever-operated opening and rubber tube, is the ideal choice for precise and reliable pours in the most demanding construction sites with intensive use. Its design tailored to the needs of challenging sites makes it indispensable for pouring large quantities of concrete with extreme precision into formwork, pillars, or slabs, avoiding potential structural issues from casting errors. The bucket features a guillotine valve, operated by a lever. A spring enables automatic closure of the discharge, while a rope allows for valve operation even at height. The two-meter-long rubber tube, with a diameter of 200 mm, ensures a controlled and precise flow of concrete during pouring. A unique feature of these buckets is the horizontal ground loading method, which keeps the bucket very low at the edge despite its large capacity, allowing the concrete mixer to fill it without any issues. Once filled, the bucket is safely lifted by the crane using a bale arm, automatically repositioning itself vertically and becoming ready for new use, thus ensuring high efficiency and ease of use on site. All our buckets are built and tested in accordance with stringent standards UNI EN ISO 12100, UNI EN 13854, ISO 8686, UNI EN 10027, and UNI EN 10204. Each product is accompanied by a metal ID plate, conformity certificate, and operation and maintenance manual to ensure proper use over time. Additionally, all our products are covered by a one-year warranty, in compliance with the European Directive, and are built with certified materials to ensure durability and safety, meeting the quality standards required in construction.

Application sectors

 Construction