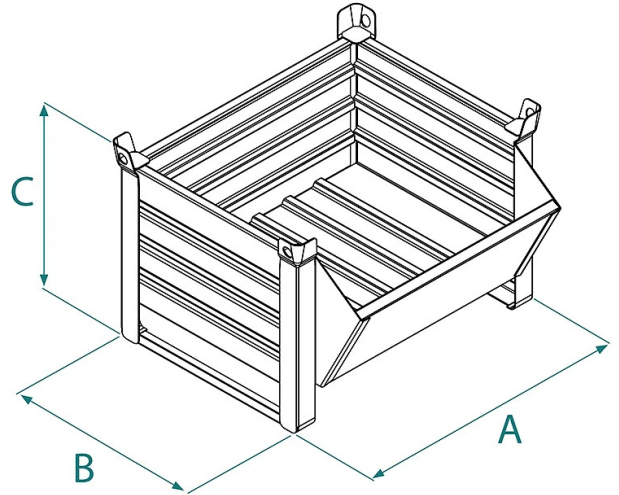


DATA SHEET - CHUTE FRONT PALLETS



Code	Capacity (kg)	Weight (kg)	Useful height (mm)	Dimensions (mm)		
				A	B	C
BDL-08.05	800	36	500	800	500	680
BDL-08.06	600	38	400	1000	400	680
BDL-10.08	1200	65	650	1000	800	680

DATA SHEET - CHUTE FRONT PALLETS

Crane accessories




Chute front pallets

Sheet metal container with hopper front

The sheet metal hopper container, with its structure and large front overhang, is the ideal solution for organizing and transporting various small-sized goods in warehouses and industrial companies. The four ground supports ensure stable support and allow the container to be lifted and moved with the help of a pallet truck or forklift. The quality and robustness of the hopper container are guaranteed by the choice of raw materials compliant with UNI EN ISO 9001 standards and by the exterior polyester powder coating, carried out in an oven at 190°C. The products thus produced are resistant and ideal for professional use in industrial environments and beyond. You can maximize available space by stacking up to 4 hopper containers in height. The hopper container helps organize and make work environments safe: arranging goods neatly reduces the risk of accidents and increases productivity. This product is built and tested according to UNI EN ISO 12100, UNI EN 10027-1, and UNI EN 10204 standards and is issued with the appropriate metal ID plate and certificate of conformity. All our products are covered by a one-year warranty (European Directive).

Application sectors

 Construction