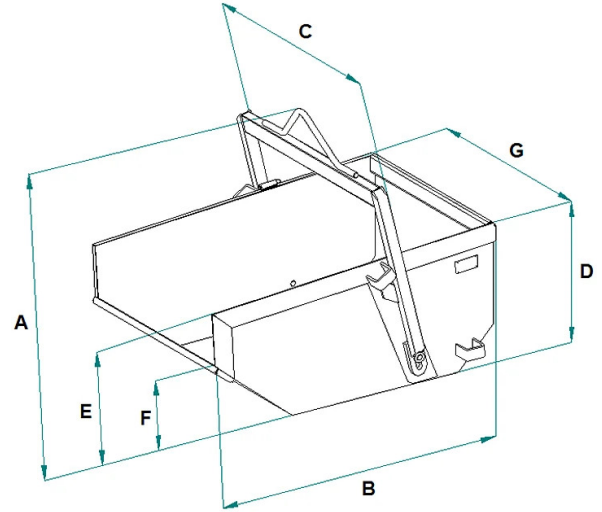


DATA SHEET - SELF DUMPING BIN WITH CASTOR WHEELS



Code	Capacity (kg)	Capacity (L)	Weight (kg)	Dimensions (mm)						
				A	B	C	D	E	F	G
A-20DW	400	200	80	800	1000	850	480	370	250	780
A-30DW	600	300	85	980	1180	850	540	460	350	780
A-35DW	700	350	90	980	1180	950	540	460	350	880
A-40DW	800	400	95	980	1180	1050	540	460	350	980
A-50DW	1000	500	100	1080	1280	1050	600	500	380	980
A-60DW	1200	600	115	1080	1280	1150	600	500	380	1080
A-80DW	1600	800	150	1240	1520	1160	760	620	350	1080
A-99DW	2000	1000	205	1360	1680	1380	860	660	400	1280

DATA SHEET - SELF DUMPING BIN WITH CASTOR WHEELS

Boat skips




Self dumping bin with castor wheels

Self dumping bin with wheels for general muck, rubble and waste removal

This bucket, which incorporates all the features of the A-D model (we will provide a link or reference or brief description like the A-D model), features 4 wheels on the bottom (2 swivel and 2 fixed) that facilitate its movement on the worksite. In addition to having all the characteristics of a self-dumping bucket and being able to be used with a construction crane, this model offers the additional flexibility of being able to be moved on the ground thanks to the presence of 4 polyurethane wheels on the bottom that make it easily maneuverable inside buildings for waste removal. Its sturdy and durable structure makes this bucket extremely versatile, perfect for large construction sites, where the presence of different machines requires versatile accessories. The range of sizes of the A-DW bucket varies from 200 to 1,000 liters, offering precise choices according to the project's needs. Key features:

- **Versatility:** The bucket is suitable for a wide range of materials, including sand, gravel, demolition debris, rubble, and soil.
- **Safety:** The automatic discharge design reduces the risk of accidents resulting from manual intervention, improving safety on the worksite.
- **Durability and strength:** Made with high-quality materials, it is designed to withstand wear, impacts, and continuous stress.
- **Ease of use:** The intuitive design allows easy use, even for less experienced operators, with an easy-to-manage side locking-unlocking system.
- **Reduced maintenance:** The construction design reduces the need for maintenance, increasing efficiency and reducing operating costs.
- **Safety regulations:** In addition to production regulations, the bucket meets rigorous safety standards, ensuring the protection of operators and compliance with local and international regulations.
- **Efficiency and productivity:** Using the bucket can significantly increase efficiency and productivity in material handling projects on the construction site. All buckets are designed and built in accordance with rigorous quality standards, such as UNI EN ISO 12100, UNI EN 13854, ISO 8686, UNI EN 10027, and UNI EN 10204. Each unit is accompanied by a metal ID plate, conformity certificate, and instruction manual.

Application sectors

 Construction