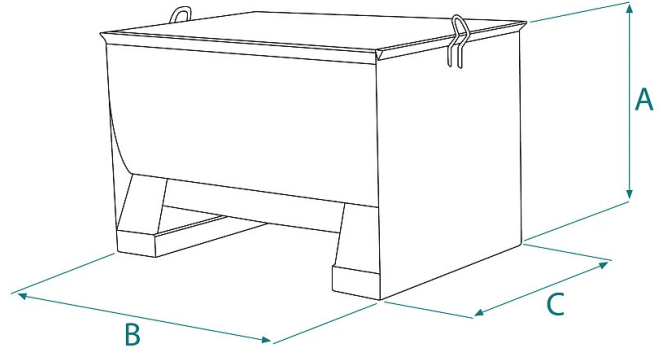


DATA SHEET - GALVANIZED MORTAR SKIP



Code	Capacity (kg)	Capacity (L)	Weight (kg)	Dimensions (mm)		
				A	B	C
M-30ZN	660	330	70	670	1000	710

DATA SHEET - GALVANIZED MORTAR SKIP

Crane accessories




Galvanized mortar skip

Galvanized mortar skip with forklift pockets

The galvanized mortar skip with forklift pockets offers a reliable and durable solution for transporting concrete or similar materials on construction sites. The zinc coating makes it weather-resistant and corrosion-resistant, ensuring superior longevity. The forkable sections at the base of the container allow for easy lifting by forklift or telehandler, while the 2 top rings also enable lifting by crane. The product is built and tested in compliance with strict UNI EN ISO 12100, UNI EN 349, UNI ISO 8686, UNI EN 10027, and UNI EN 10204 standards. Each product comes with a metal ID plate, certificate of conformity, and user and maintenance manual to ensure proper use over time. Additionally, all our products are covered by a one-year warranty, in accordance with the European Directive.

Application sectors

 Construction