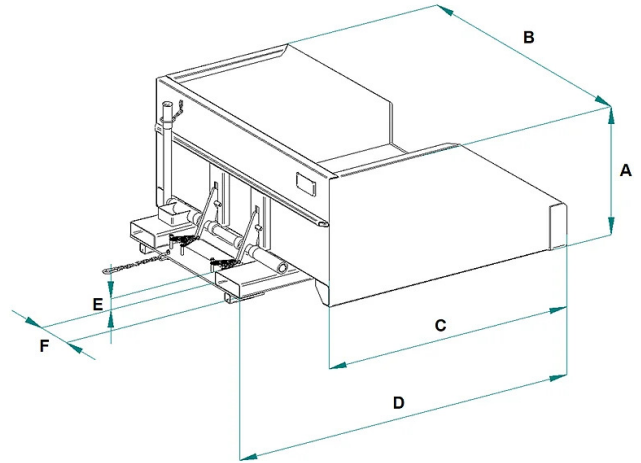


DATA SHEET - FORKLIFT SHOVEL



Code	Capacity (kg)	Capacity (L)	Weight (kg)	Dimensions (mm)					
				A	B	C	D	E	F
BR-30	1120	300	160	593	1118	1157	1441	172	52
BR-50	1300	500	185	593	1284	1157	1441	172	52
BR-99	2240	1000	240	673	1824	1250	1534	172	52
BR-150	2470	1500	250	673	1924	1250	1534	172	52

DATA SHEET - FORKLIFT SHOVEL

Boat skips




Forklift shovel

Forklift shovel with automatic tilting

The BR model represents a modern forklift bucket with automatic tipping, designed to enhance efficiency and convenience in construction projects. With this innovative equipment, you can forget the complications of manual tipping: the BR bucket simplifies your workflow, ensuring smooth and precise material handling. All our buckets are built and tested according to UNI EN ISO 12100, UNI EN 13854, ISO 8686, UNI EN 10027, and UNI EN 10204 standards. Each unit comes with a metal ID plate, a certificate of conformity, and a user and maintenance manual. We offer a one-year warranty on all our products, in compliance with European directives.

Application sectors

 Construction