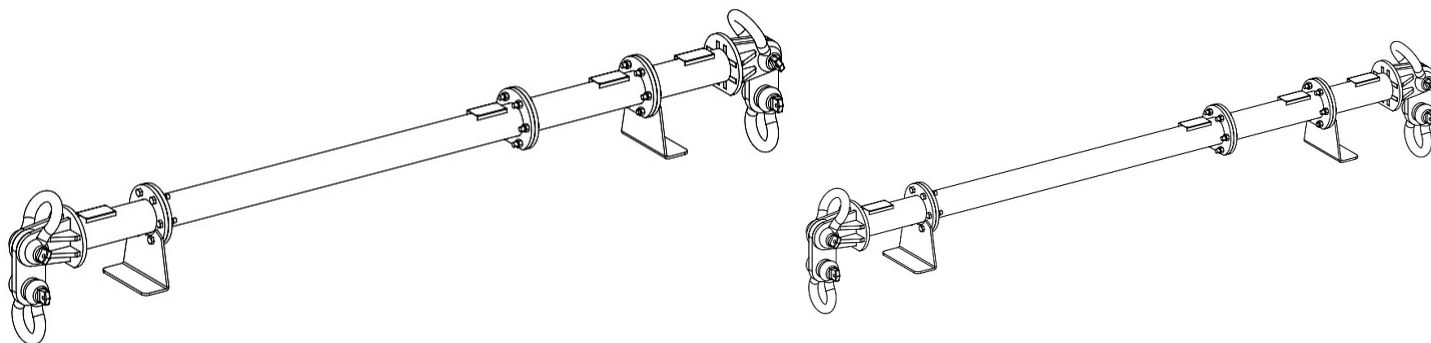


DATA SHEET - MODULAR LIFTING BEAM



Code

MLSPR-SPR

DATA SHEET - MODULAR LIFTING BEAM

Lifting beams



Modular lifting beam

Modular lifting beam

Modular and configurable lifting beams represent the optimal solution, characterized by versatility and cost-efficiency, for a wide range of lifting operations. Thanks to the modular construction system, it is possible to easily reconfigure the lifting beam, allowing for the repeated use of the same components for different lifting operations. The lifting system includes a wide range of easily assembled components. The modular concept is based on the assembly of two end units in combination with segments of variable length. The end units, complete with articulated lobes, evenly distribute the loads on the beam. The flexibility of the system allows for adapting the lifting beam to lifting needs, achieving different lengths through the combination of chosen elements. All equipment is CE certified and supplied complete with an instruction and maintenance manual. Upon request, we can provide a calculation report signed by a qualified technician.

Application sectors

 Lifting